

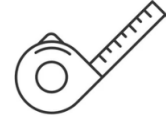


Equipment

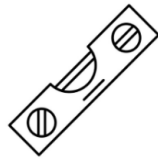
Mitre saw with aluminium blade



Tape measure



Level



Angle grinder



Cordless drill



Knife



Site PPE

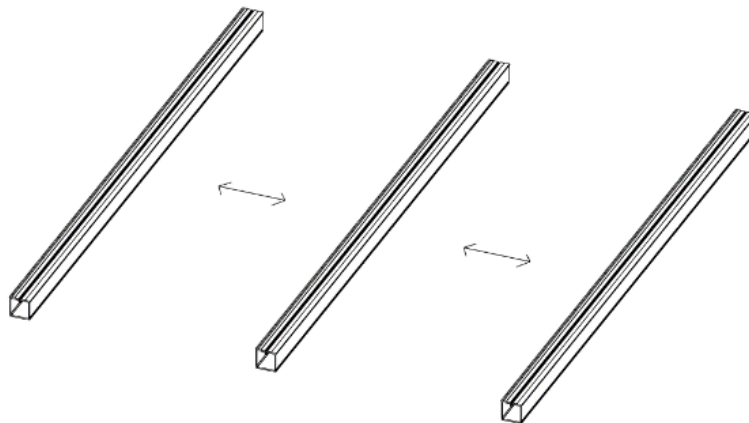


General Notes

- Leave 3mm gap between ends of Baseboard when butted end on end
- Where joists are to be butted end-on-end, ensure there is a support under the join connecting the two joists.
- Some schemes require a 10mm gap around perimeter edge of area
- Always use appropriate torque setting on cordless screwdriver for screws
- Always use the correct PPE throughout installation
- The ES Artificial Grass Adhesive is a powerful chemical – ensure correct PPE is worn when working with this products. Material Safety datasheet is available at www.rynosystems.com.
- Silica sand must be applied to the finished surface at a rate of 8-10kg/m² to achieve correct product specification and validate warranty
- Jointing Tape is required to join Artificial Grass rolls where area size requires.

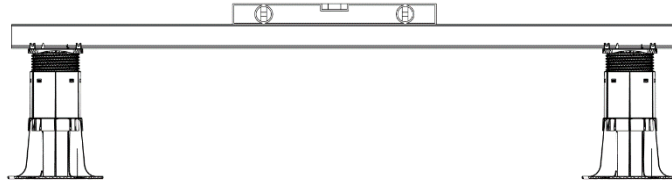
1. Lay joists out on substrate at required centres (as per Baseboard span as stated on datasheet [600-700mm]). **Fig A**

Fig A



2. Lift joists on to pedestal supports at each end of joist and level up. Fig B

Fig B



3. Level all joists to the same level

4. Add intermediate supports at required centres along joist (as per joist span, see datasheet). Figs C and D

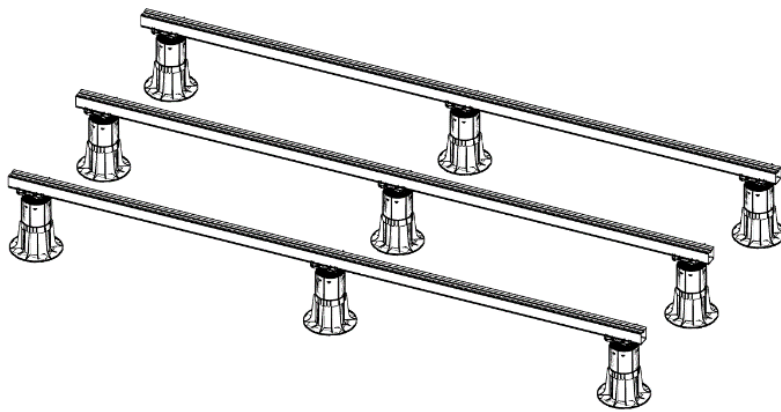


Fig C

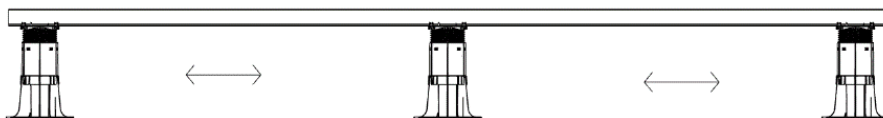
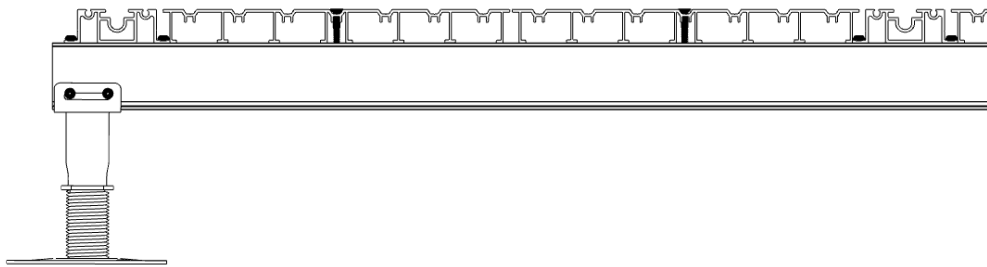


Fig D

5. Where joists are to be butted end-on-end, ensure there is a support under the join connecting the two joists.
6. Once all joists are level and fully supported, establish where the first Baseboard will be laid
7. Fasten down Baseboards with BBS baseboard screws, using the recesses on the surface to ensure screw heads sit flush with the surface and not proud. Ensure at least 1 screw is fastened into each supporting joist. Leave a 5mm gap between each board to allow drainage. **Fig E**

Fig E



8. Repeat step 7 until last board
9. Installing the last Baseboard;
 - a. If last board fits perfectly and does not require ripping down length, simply fasten board as per point 7
 - b. If last board is wider than the space available, simply cut board down to required width before fastening down. **Fig F & G**

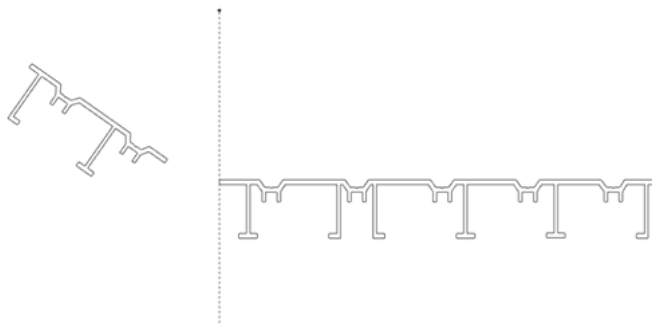


Fig F

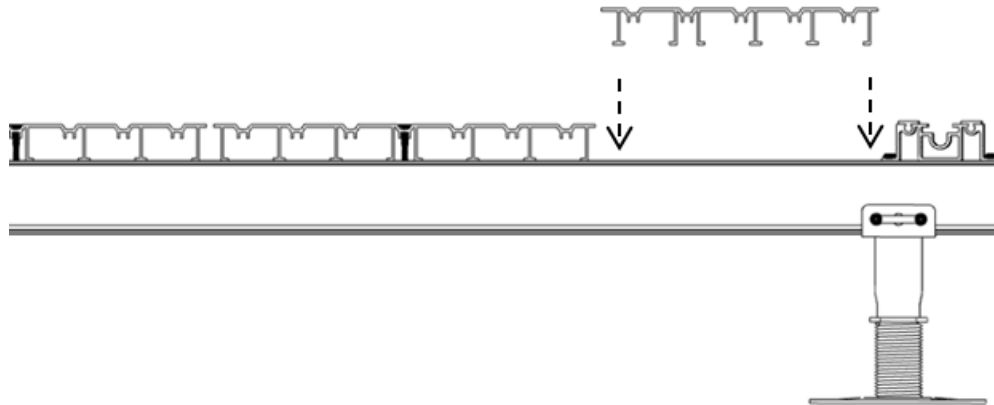


Fig G

- Once baseboard layer is complete, loose lay the AG-SP Artificial Grass base shockpad, trimming so there is a 300mm* strip of baseboard exposed at the edge of the area being laid for adhesive (step 11). Fig H

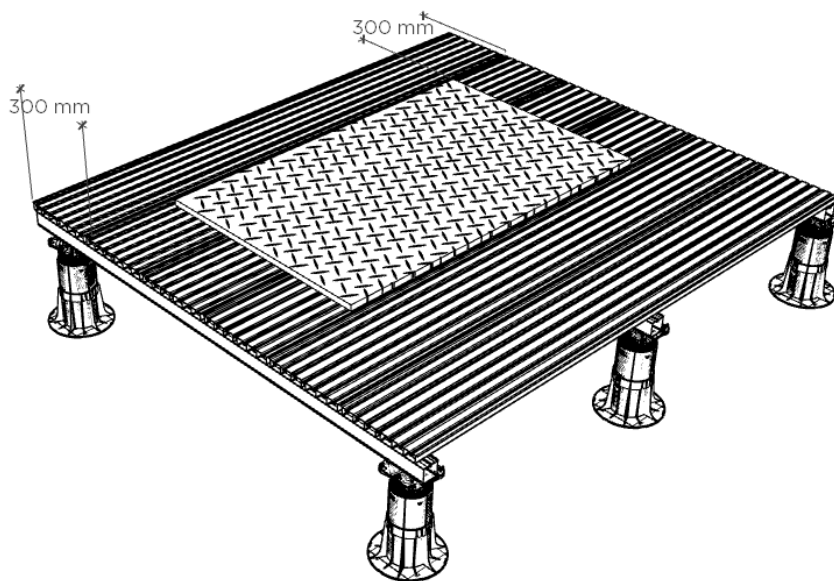


Fig H

*300mm assumes a typical area of up to and around 100m², the adhered area would need to be larger for a larger surface area.

11. Apply ES Artificial Grass Adhesive to the perimeter strip of baseboard, starting on 1 side, adhering the Artificial Grass before rolling it out over the area. **Fig I & J**
 - a. **Mixing the adhesive:** Mix thoroughly using a mechanical stirrer with the Hardener Additive at a weight ratio of 10 to 1.4 by first adding the complete bottle of hardener component to the adhesive component in the plastic tub.
 - b. **Joining Artificial Grass rolls:** Use AG-JT Artificial Grass Jointing Tape to connect individual rolls of Artificial Grass. Lay this on the substructure up to, but not over, the Adhesive at the edge. Apply Adhesive to the fleeced top surface and apply the edge of the Artificial Grass roll to the Adhesive.

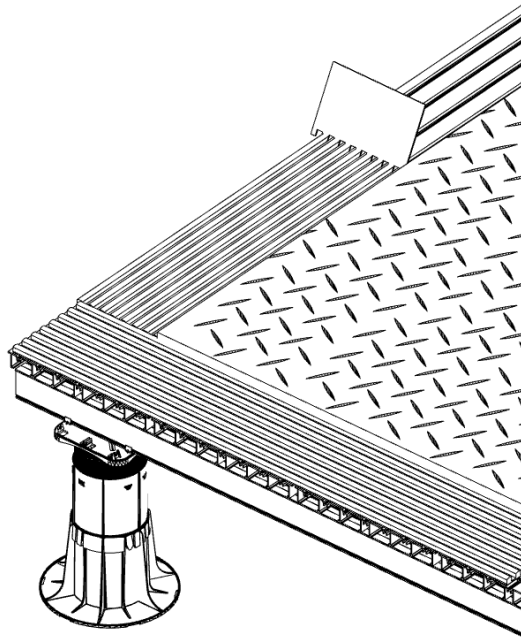


Fig I

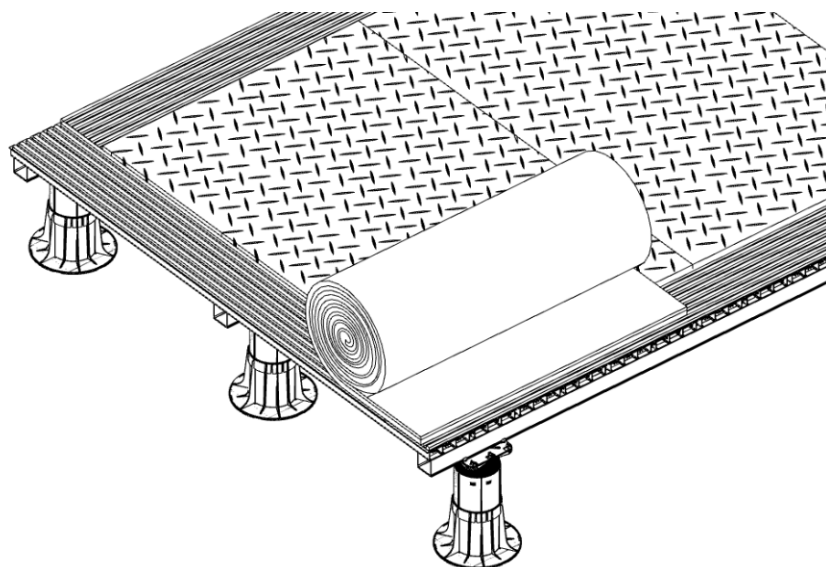
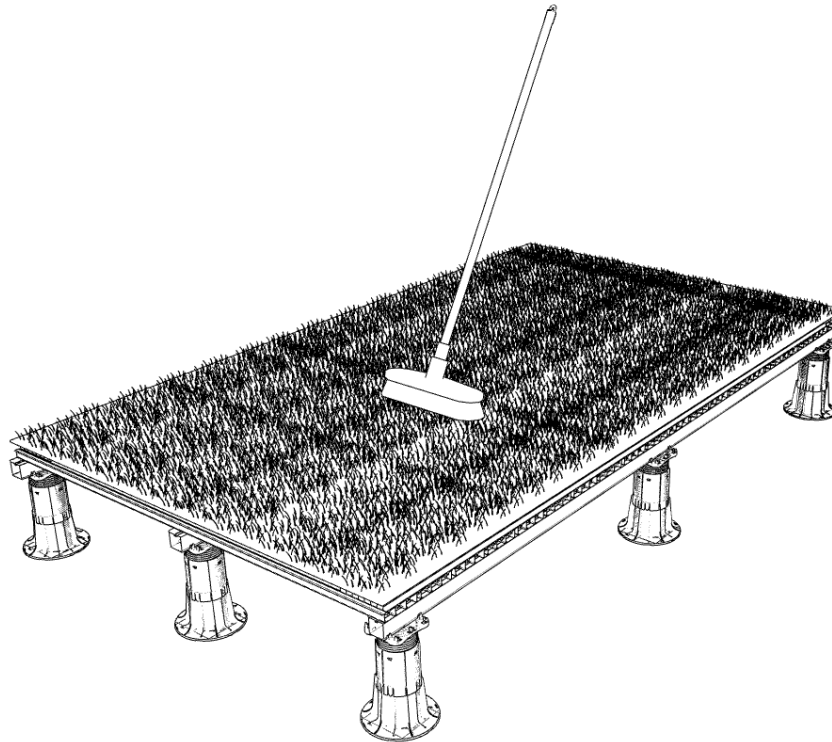


Fig J

12. Apply sharp sand and brush into grass at a rate of 8-10kg/m². **Do not skip this step; this is critical to meet the Broof T4 fire rating.** Once applied, the TerraSmart Artificial Grass System is now complete.



Contact us

Head office

Castlepoint
Castle Way
Ellon
AB41 9RG

The Studio

2 Sutton Lane
Off Clerkenwell Road
London
EC1M 5PU

Telephone:

+44 (0)203 9673500

Email:

enquiries@rynosystems.com