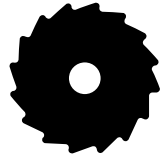


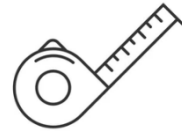


Equipment

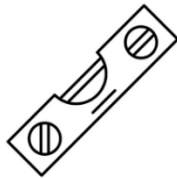
**Porcelain bridge
saw**



Tape measure



Level



Angle grinder



Cordless drill



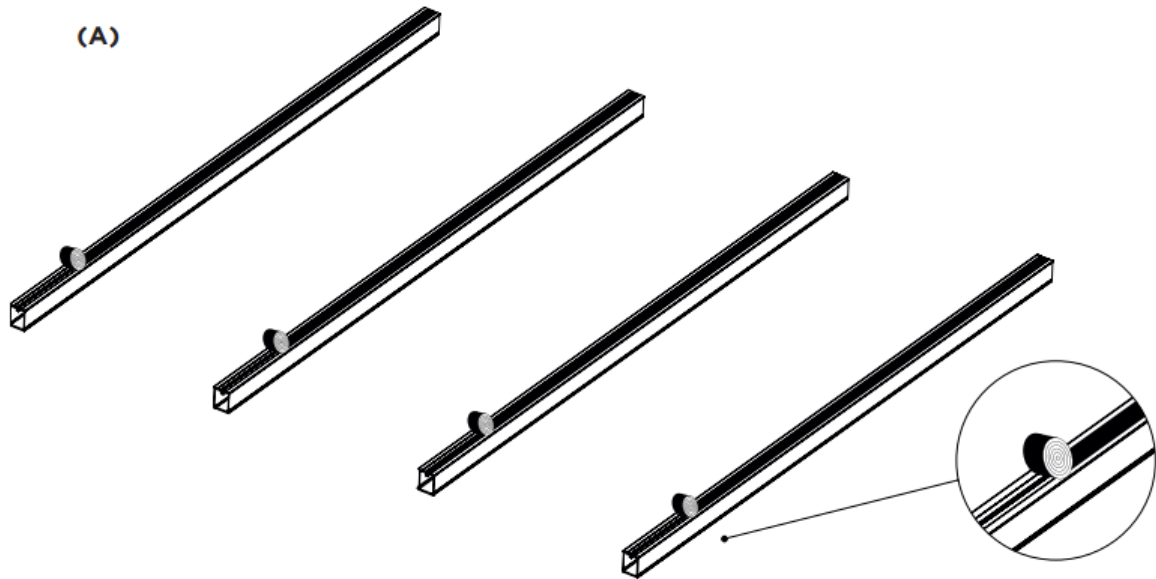
Site PPE



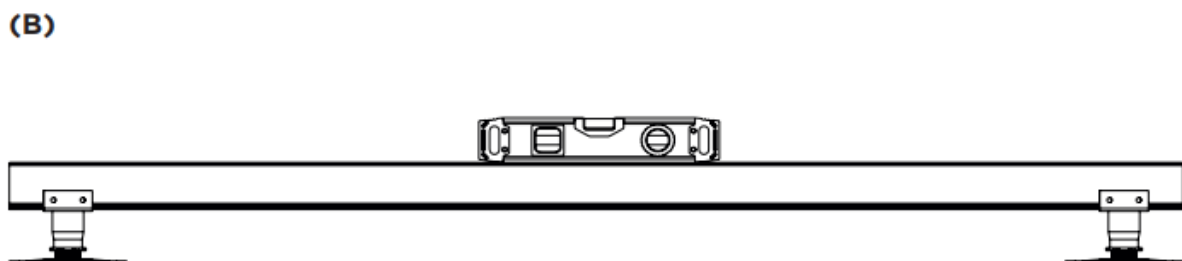
General Notes

- Gaps between board ends are optional and depend on the desired look – there is no expansion gap required.
- Some NHBC schemes require a 10mm gap around perimeter edge of area for drainage; the VC starter clip provides this on clipped sides of your area, but keep this in mind when setting out your substructure.
- Due to the specialist manufacturing process of vitrified composite, there may be slight variations in the shape from board to board including slight curvature along the length. A laser guide tool or similar is essential to keep each row of boards aligned throughout the installation. This means you may need to adjust the gap width +/- 1.5mm (7mm nominal) between the boards slightly to ensure the boards are aligned.
- Use offcuts of material where possible, to minimise waste.
- Where joists are to be butted end-on-end, ensure there is a pedestal support underneath connecting the two joists.
- Always use appropriate torque setting on cordless screwdrivers to reduce the possibility of overtightening.
- Always use correct PPE throughout installation.

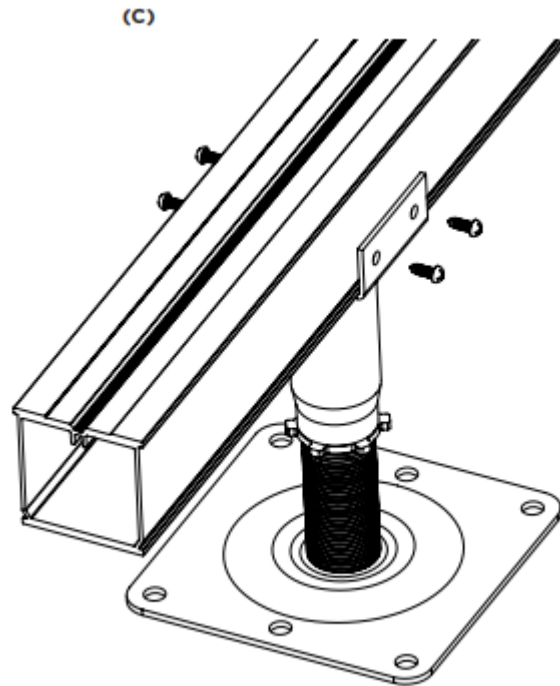
1. Determine decking direction.
2. Lay the joists out on the substrate perpendicular to the decking direction, at the 300mm centres (as per board span, see datasheet). Apply the self-adhesive backed EPDM strip to the top surface of the joists. Fig A.



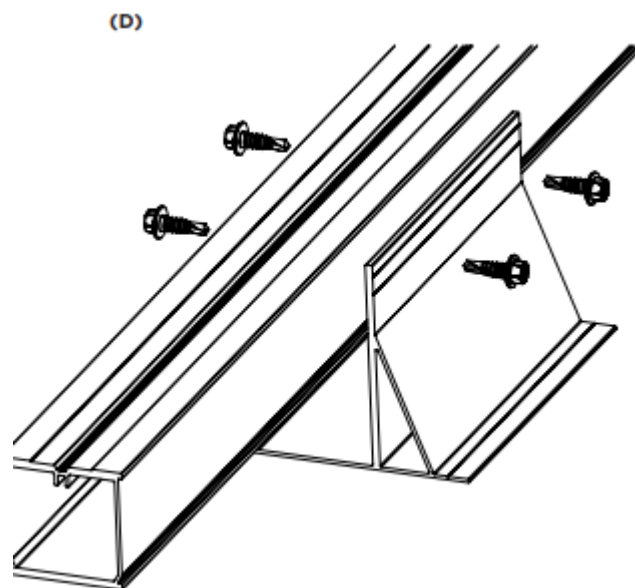
3. Lift the joists onto the supports, which should be placed at each end of the joist, and level up to the required height (FFL minus board depth). Fig B.



3a. If using adjustable pedestal supports, fasten the joist to the pedestal head using 13mm self-drill screws and tighten the locking nut on the pedestal to secure it at the required height. Fig C.

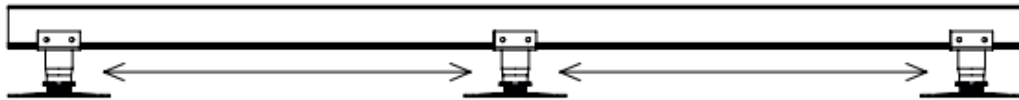


3b. OR; if using cleat supports, use the 4.8x19mm hex head self-drill screws to secure the joist at the required height. Note: in some scenarios, using packers to build up to the required height can be helpful. If the packers are not non-combustible, remove them after the screws have been installed. Fig D.



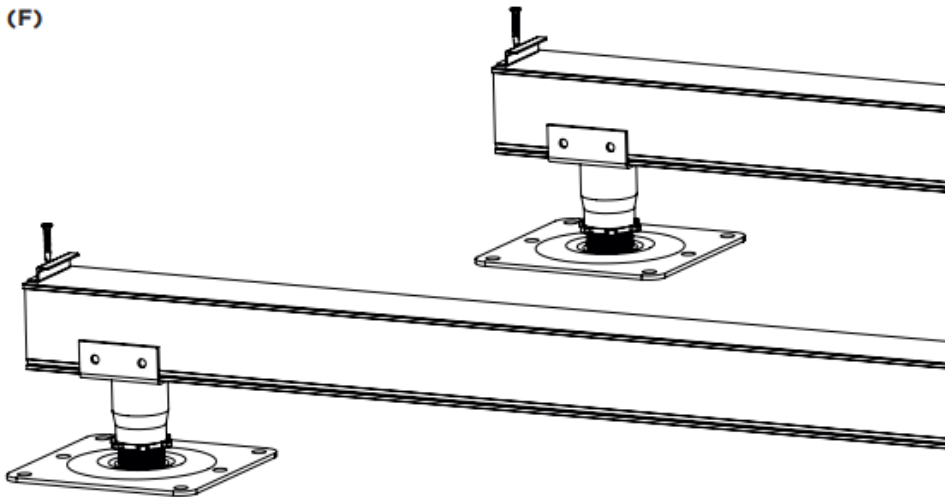
4. Add the intermediate supports at the required centres along the joist (as per the joist span, see datasheet). Fig E.

(E)



5. Once all joists are level and fully supported, establish where the first board will be laid, and install the VC Starter/End Clip along the ends of the joist ready for the first row of boards. Fig F.

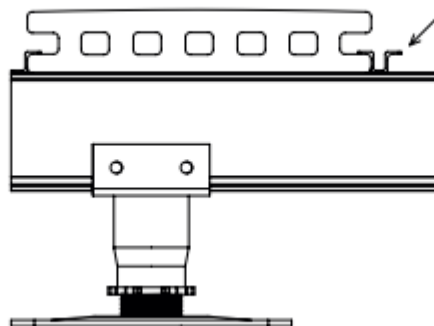
(F)



6. Push the first row of decking boards into the starter/end clips.

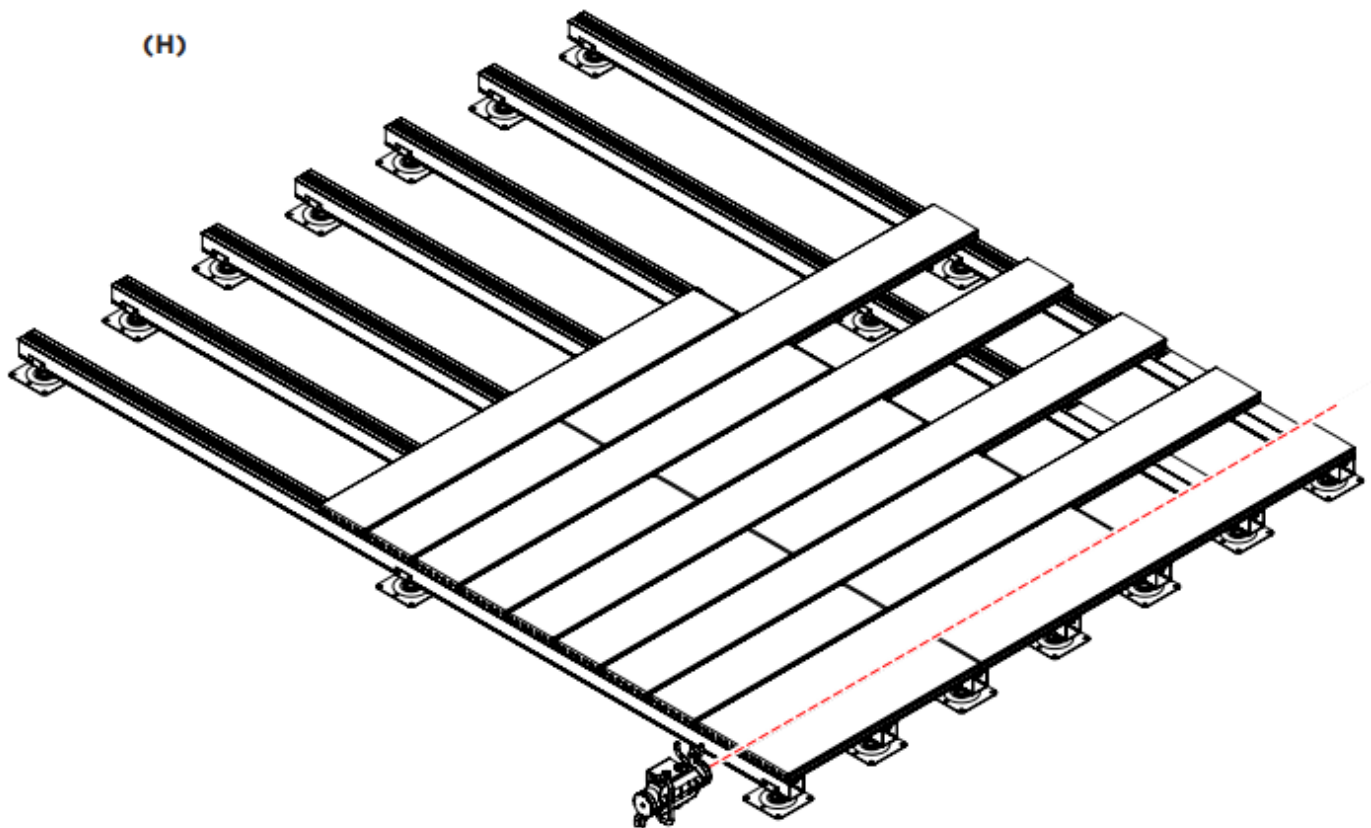
7. Apply the VC T-clips along inside edge of the first row of decking, above each joist. Fig G.

(G)



8. Slide the second row of decking boards into place, ensuring the overall length of board run is aligned with your laser guide to keep board runs straight.

****Important Note** - Due to the specialist manufacturing process of vitrified composite, there may be slight variations in the shape from board to board including slight curvature along the length. A laser guide tool or similar is essential to keep each row of boards aligned throughout the installation. This means you may need to adjust the gap width +/- 1mm (7mm nominal) between the boards slightly to ensure the boards are aligned.**. Fig H.



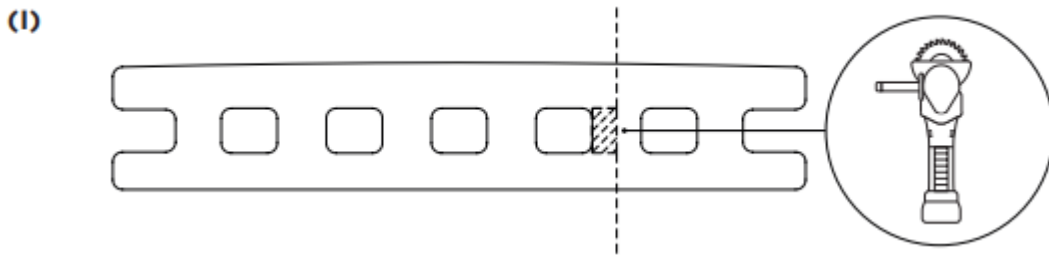
9. Repeat step 8 one board row at a time, until you reach the second-to-last board.

10. Fitting the last board:

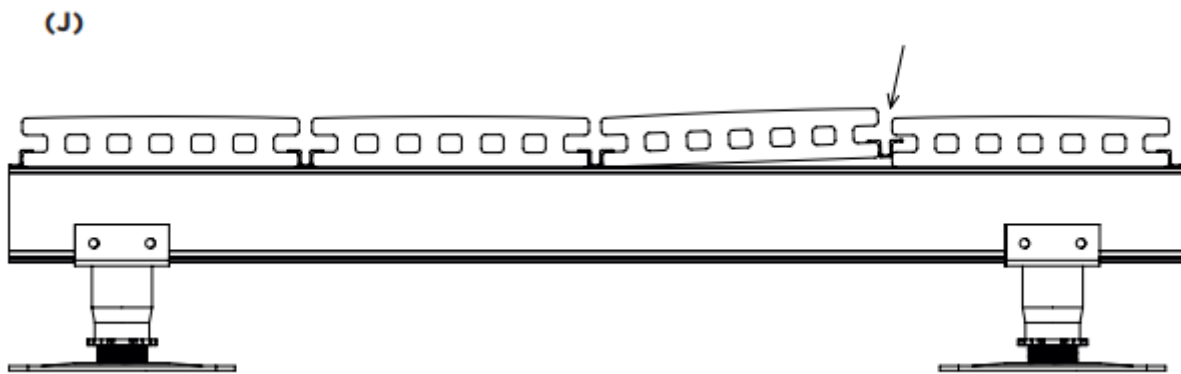
a. Loose-lay the second-to-last last board run and measure the remaining space, remembering to account for the width of the VC-T clip and Starter/End clip

i. If a full board width fits perfectly, go straight to step 10.b. and continue from there.

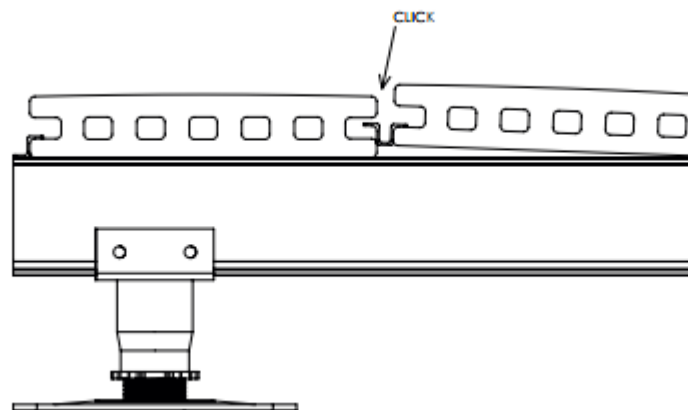
ii. If the last gap is smaller than the board width, you will need to cut the board down to the required width. Note that once width is cut down, this removes the fixing channel, so you may need to modify the cut side of the board using a grinder to receive the VC starter/end clip. Fig I.



- b. Affix VC Starter/End clip to the outside end of the joists
- c. Place the last row of boards on the joists and push firmly onto the VC starter/end clip
- d. Lift the second-to-last board up at a slight angle, to enable you to slide a VC T-clip into the fixing grooves. Fig J.



- e. Still holding this board up at an angle, use a screwdriver or your cordless drill to slide the VC T clip along the groove until it's over the joist, repeating until there is a clip over each joist. When released, the board should be held up at a slight angle by the clips (if not, your board gap will be larger than planned).
- f. Use gentle pressure to pivot the raised board down onto the joists; it should 'click' into place as it pushes the clips in tight. Fig K.



11. Fasten the clips down using the screws provided. The TerraSmart Vitrified Composite Decking is now complete

Contact us

Head office

Castlepoint
Castle Way
Ellon
AB41 9RG

The Studio

2 Sutton Lane
Off Clerkenwell Road
London
EC1M 5PU

Telephone:

+44 (0)203 9673500

Email:

enquiries@rynosystems.com