



# MODULAR BALCONIES

Enhancing life on the skyline. This is our comprehensive overview of modular balcony systems.





# COMPLETE INTEGRATED BALCONY SYSTEMS

**HERE TO MAKE MODULAR BALCONY PROJECTS EASIER. WE'VE BEEN AT IT FOR OVER A DECADE!**

We get it - getting the detail of modular balconies right can be tricky. Whether your project involves projecting balconies or free-standing units, we're here to make life easier. With a complete suite of integrated balcony systems that combine flooring, soffits, and balustrades seamlessly, we've got you covered.

We bring smart design and proper support together - sticking with you from early design to project completion, with solid technical advice and on-site know-how every step of the way.

---

**LET'S TALK**

---



## COORDINATION SIMPLIFIED

No ambiguity. No crossed wires. Just dependable systems, expert advice, and technical clarity.

Our promise is to deliver confidence. Through systems that simplify coordination from design to delivery, we take the pain out of complexity. Our aim is to protect your schedule and keep moving at pace to manage risk.

Our 4-step approach keeps everything clear:

01

02

03

04

### UNDERSTAND

Investing the time necessary to understand your project goals and grasp the specification in detail.

### GENERATE

Drawing from proven solutions and technical know-how to generate the most relevant and suitable system.

### CHECK

Leaving no stone unturned; every detail is checked and verified for compliance and performance.

### DELIVER

Getting the materials on site exactly when they are needed to keep the program on track. Seamless project completion is our shared goal.



## THREE PRATICAL ELEMENTS

### LINEAR BALUSTRADES

P.6-15

Balustrades define the edge of any balcony - delivering safety, compliance, and visual clarity. Our modular aluminium systems integrate effortlessly with flooring and soffits, creating a unified approach to design and water management. The result: clean lines, simple detailing, and seamless coordination.

### BALCASMART FLOORING

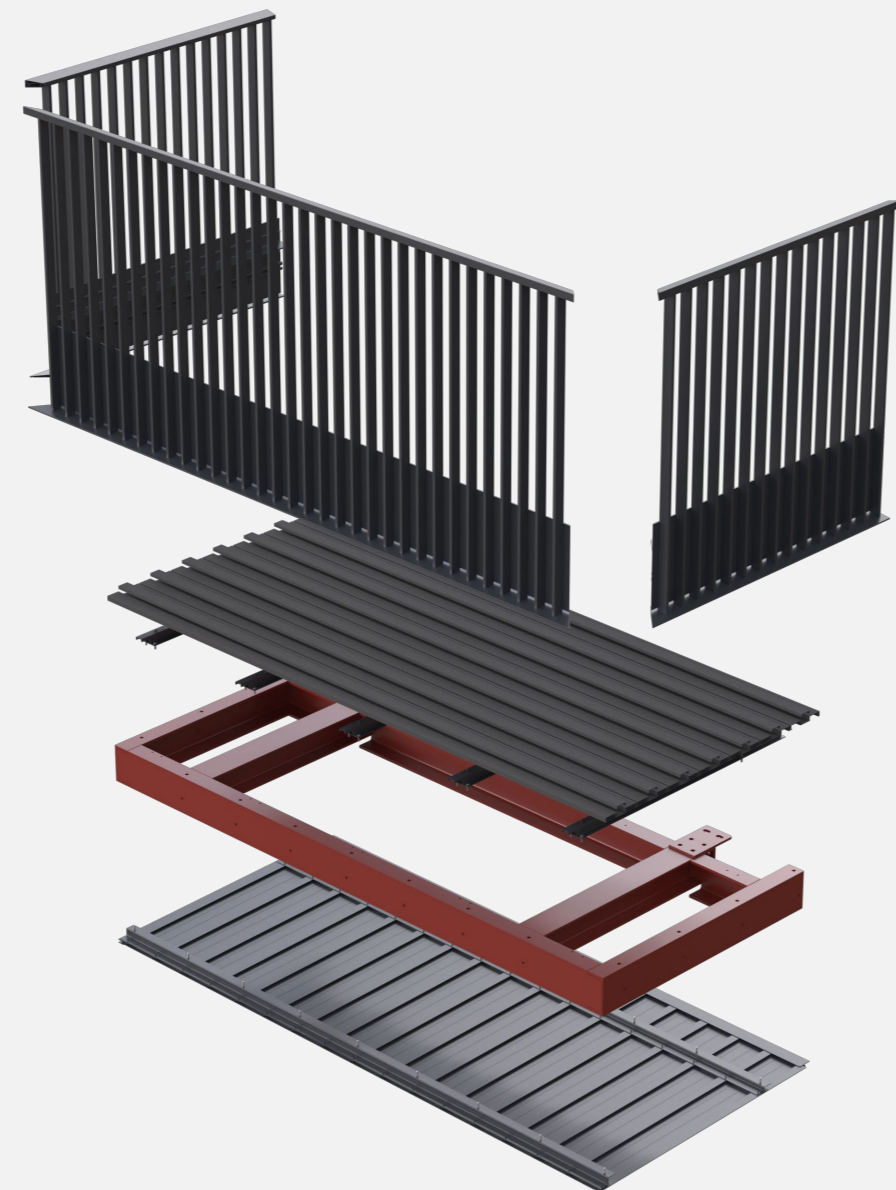
P.20-29

Built for performance and designed to impress. Our flooring options - aluminium decking, porcelain paving, and vitrified composite - offer slip resistance, durability, and long-term reliability. Each surface feels solid underfoot and elevates the balcony with premium finishes that match the architectural intent.

### BALCASMART SOFFIT

P.16-19

Smart water management, simplified installation. Our soffit system is engineered for ease - whether installed onsite or offsite - supporting your project's methodology without added complexity. Designed to work in harmony with balustrades and flooring, they complete the terrace with precision and practicality.



LET'S DELVE A BIT DEEPER...

## THREE SMART SOLUTIONS

### BALCASMART PROJECTING BALCONY

P.5-29

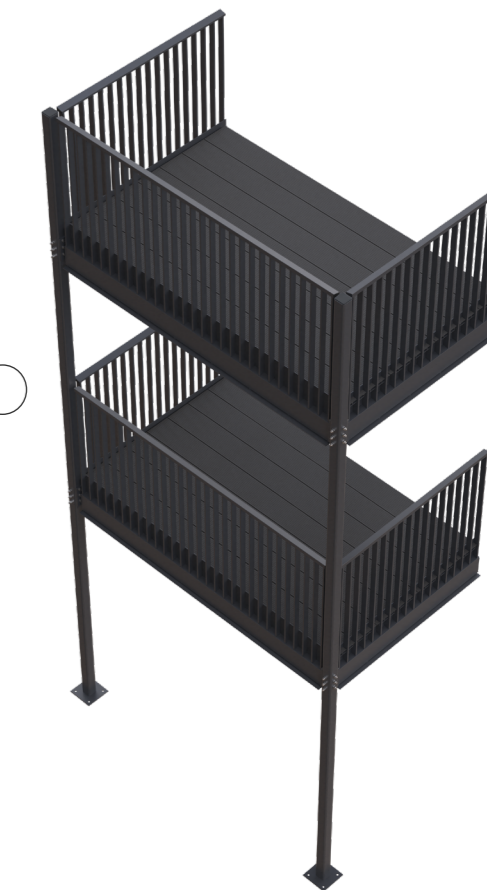
A complete solution for cantilevered balconies, combining strength, compliance, and design flexibility. Built from non-combustible materials and designed for quick installation, it integrates seamlessly with our balustrade and flooring options.



### BALCASMART FREE-STANDING BALCONY

P.5-29

Perfect for low-rise developments, this system delivers a non-combustible balcony solution that's quick to install and fully compliant. Designed to work seamlessly with our balustrade and flooring options, it offers flexibility without compromising performance.



### VANTAGE VERTICAL JULIET GUARDING

P.30-31

A sleek, non-combustible guarding solution for full-height openings. Designed for safety and style, it offers three standard fixing methods to suit different façade conditions, while delivering a clean, compliant finish.





# SMART BALUSTRADES

## PROVEN TO PERFORM

Our balustrade offering brings together strength, aesthetics, and flexibility for modern balcony design. Each system is crafted for adaptability and ease of installation, ensuring a perfect balance of safety and practicality. Tried and tested across countless projects, these balustrades deliver proven performance and enduring quality, making them a trusted solution for architects and contractors alike.



LET'S TAKE A CLOSER LOOK...

# DRAINAGE BUILT IN

The Linear Flow balustrade system uses the foot of the balustrade to provide the drainage requirements of BS 8579, while keeping the soffit independent of the all important 30mm projection. This clever separation allows for greater flexibility in design and installation, making it easier to coordinate details and adapt to different balcony configurations. The result is a compliant, discreet drainage solution that protects the building envelope and maintains a clean architectural finish.



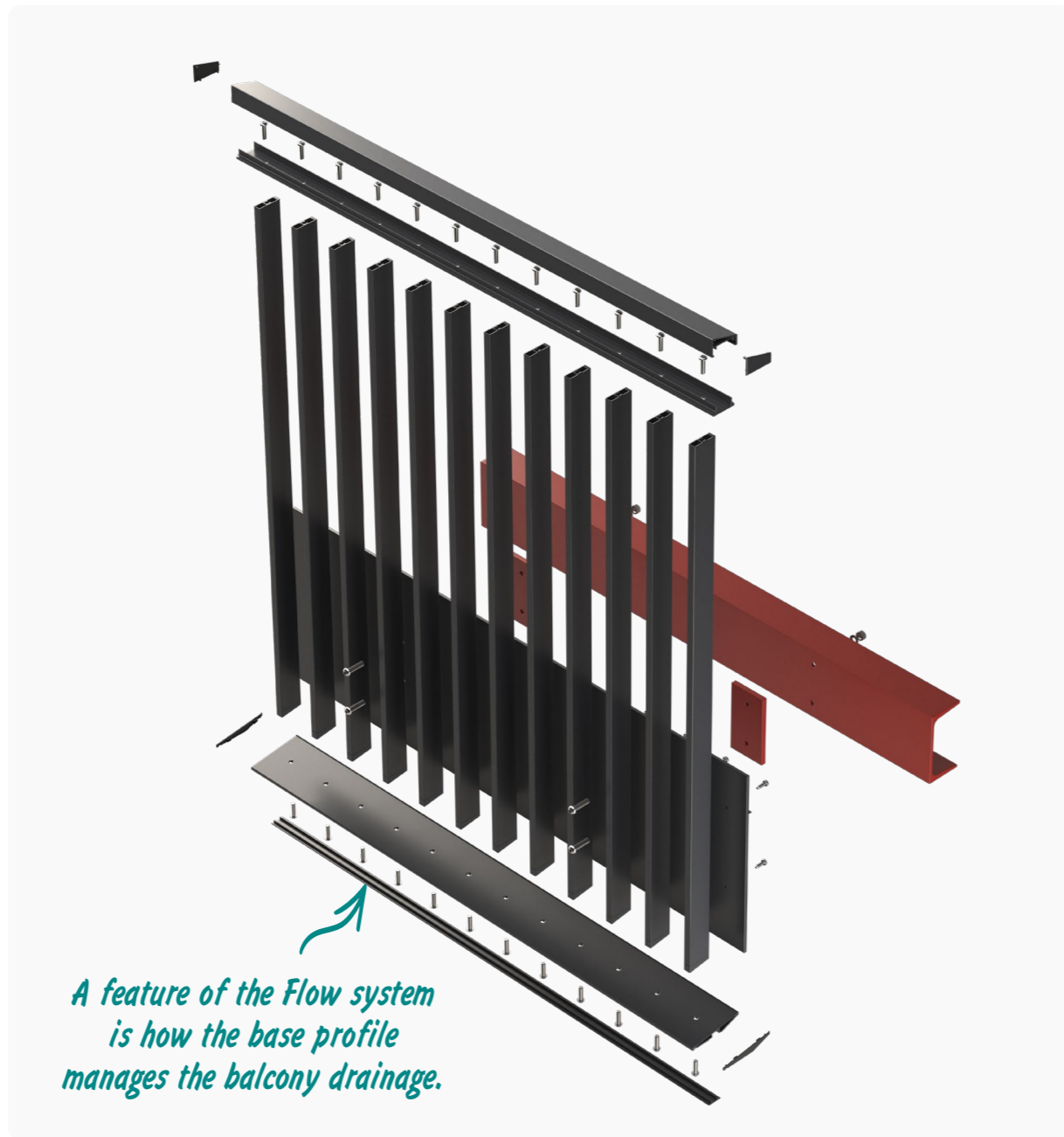


# LINEAR FLOW BALUSTRADE

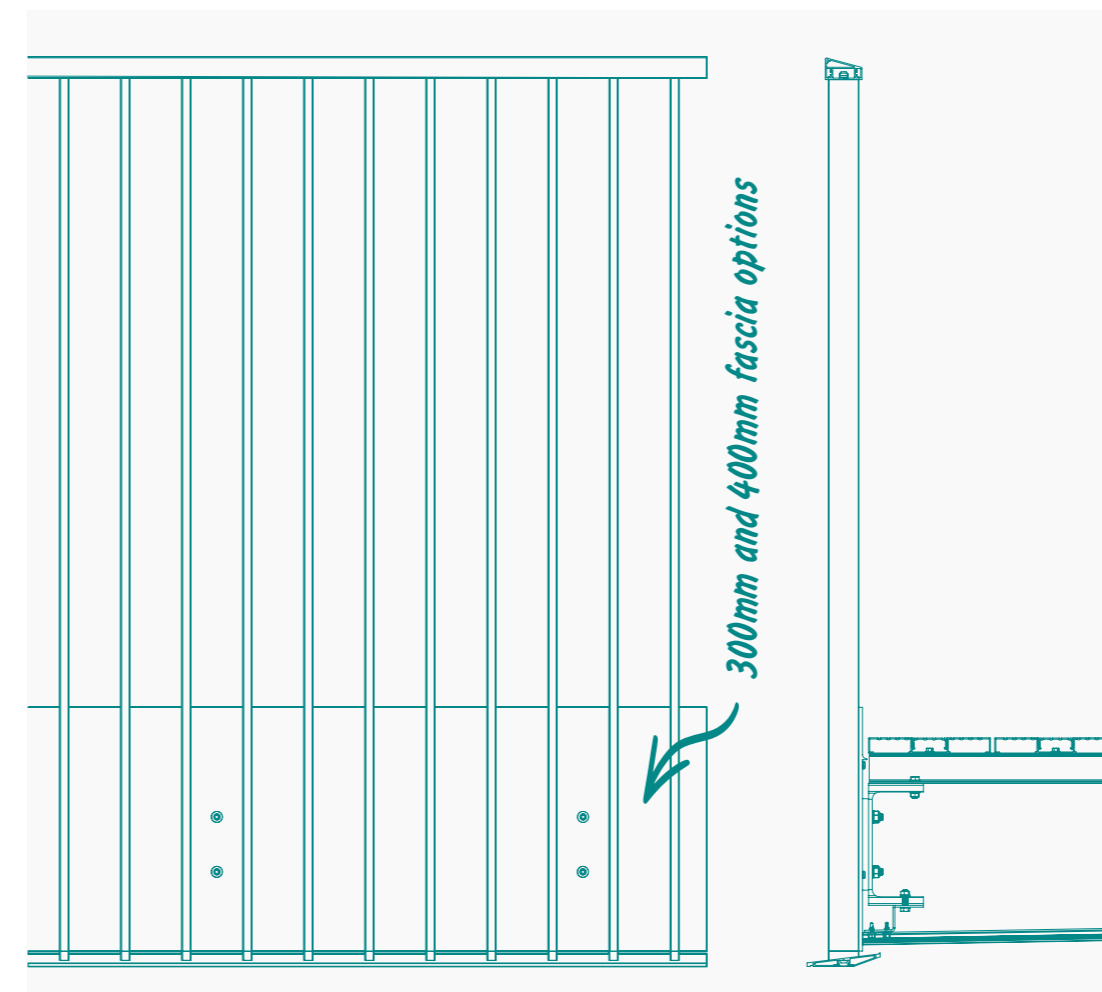
## THE VERSATILE BALUSTRADE SYSTEM WITH DRAINAGE COMPLIANCE BUILT IN.

Linear Flow is a modular balustrade system with built-in drainage, designed for steel frame balconies. It meets BS 8579 requirements with a 7° sloped skirt and 30mm projection, and features a 15° inward handrail angle to reduce the risk of objects falling from the balcony to areas below.

- 7° sloped base track for effective drainage.
- 15° inward handrail angle helps prevent items falling outward.
- Lightweight design for easy handling.
- Premium Qualicoat Class 2 Seaside powder coating.



# LET'S GO A LEVEL DEEPER...





# FUNCTIONAL ENGINEERING

Discover our growing collection of infill bar designs - new styles, finishes, and configurations to match any architectural vision. Whether you're after clean lines, bold statements, or subtle detailing, there's an option to complement your project perfectly.



## REGULAR BAR

Our most popular infill bar - its the go-to option.



## PRIVACY-45 BAR

The angled bar provides directional privacy while still allowing natural light in.



## PRIVACY-T BAR

The wide back to the bar provides additional privacy while still allowing light through.

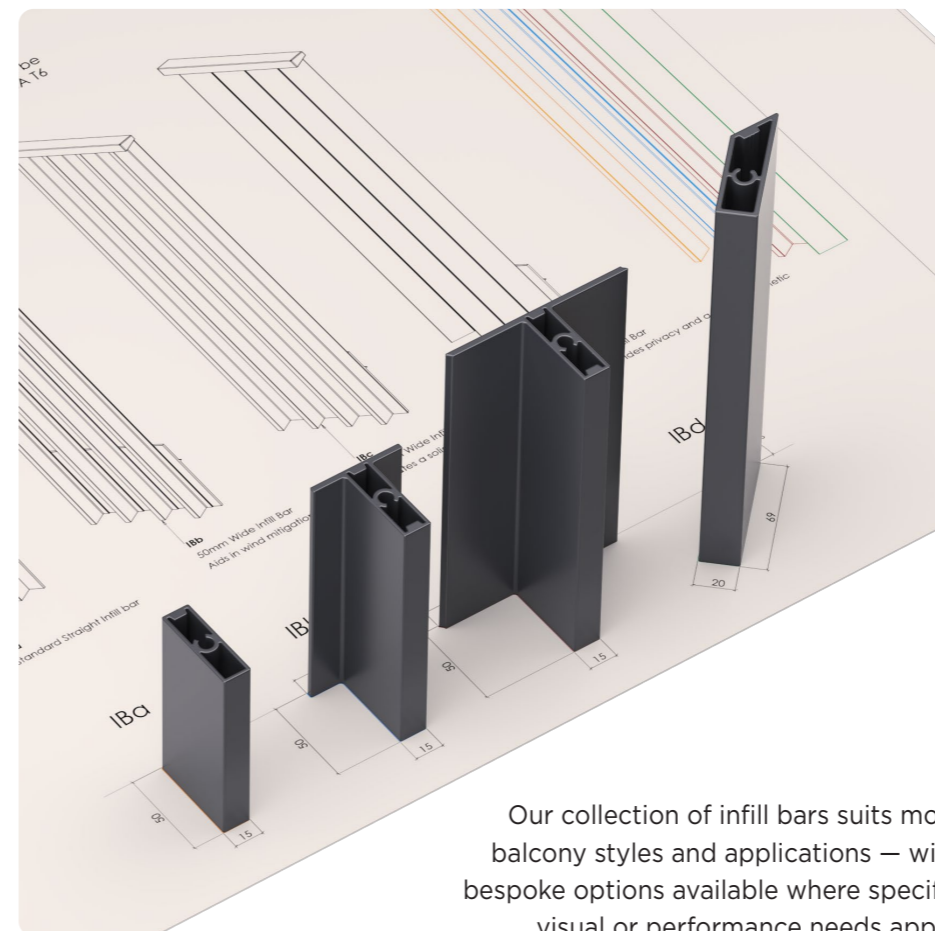


## SOLID-T BAR

This gives complete privacy with the aesthetics of a solid panel without the extra install work.



# SEAMLESS AESTHETICS



Our collection of infill bars suits most balcony styles and applications — with bespoke options available where specific visual or performance needs apply.

Six Standard RAL Colours - Custom Colours Available on Request



RAL 7016 - Anthracite Grey



RAL 7037 - Dusty Grey



RAL 7039 - Quartz Grey



RAL 7040 - Window Grey



RAL 8014 - Sepia Brown



RAL 8019 - Grey Brown

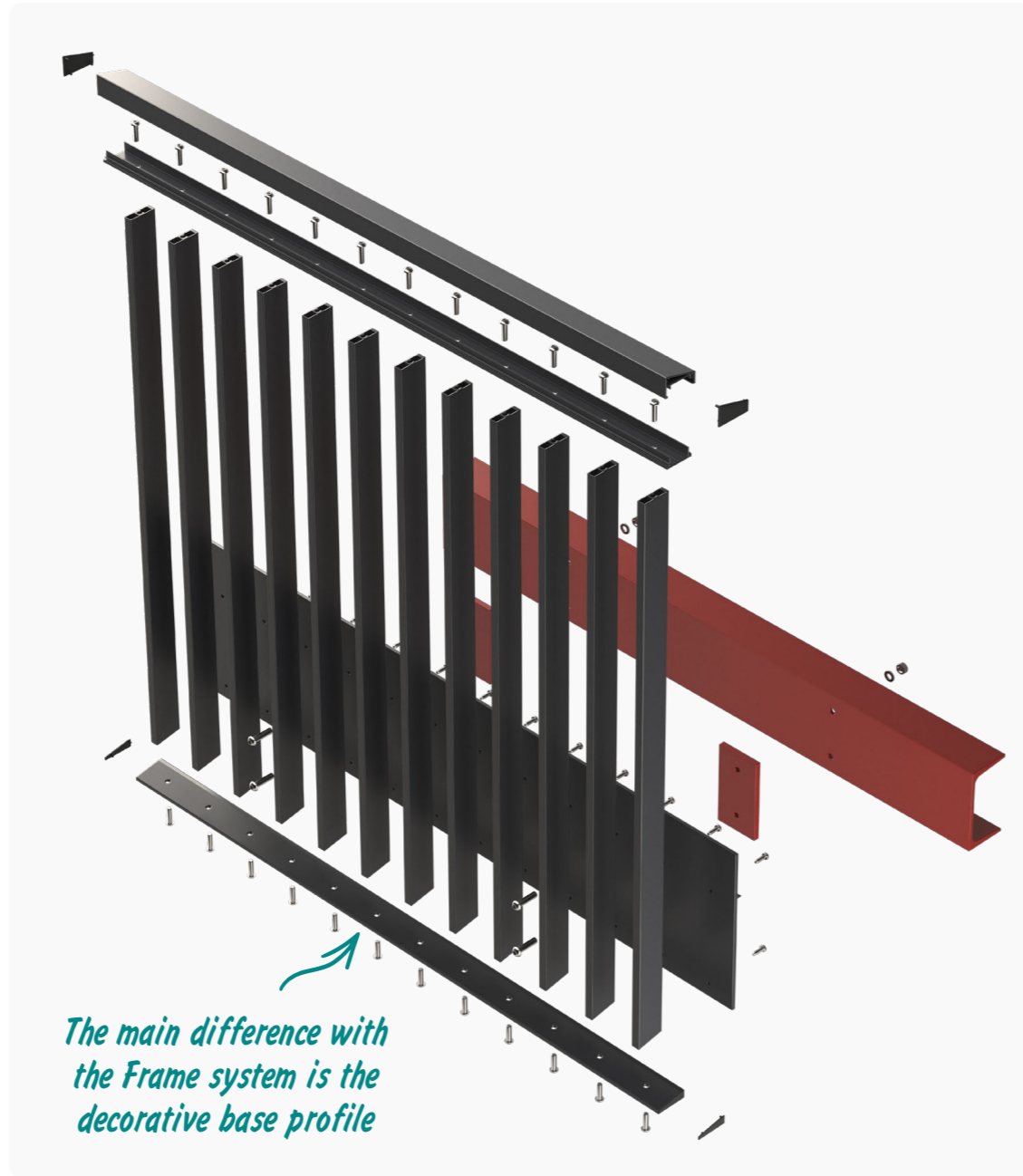


# LINEAR FRAME BALUSTRADE

## A ROBUST BALUSTRADE SYSTEM WITH A CLEAN ARCHITECTURAL AESTHETIC

Linear Frame is a robust balustrade system designed for steel frame balconies where drainage is managed within the soffit. It delivers a sleek, structural look while meeting BS 8579 requirements, including a 15° inward handrail angle to reduce the risk of objects falling from the balcony to areas below.

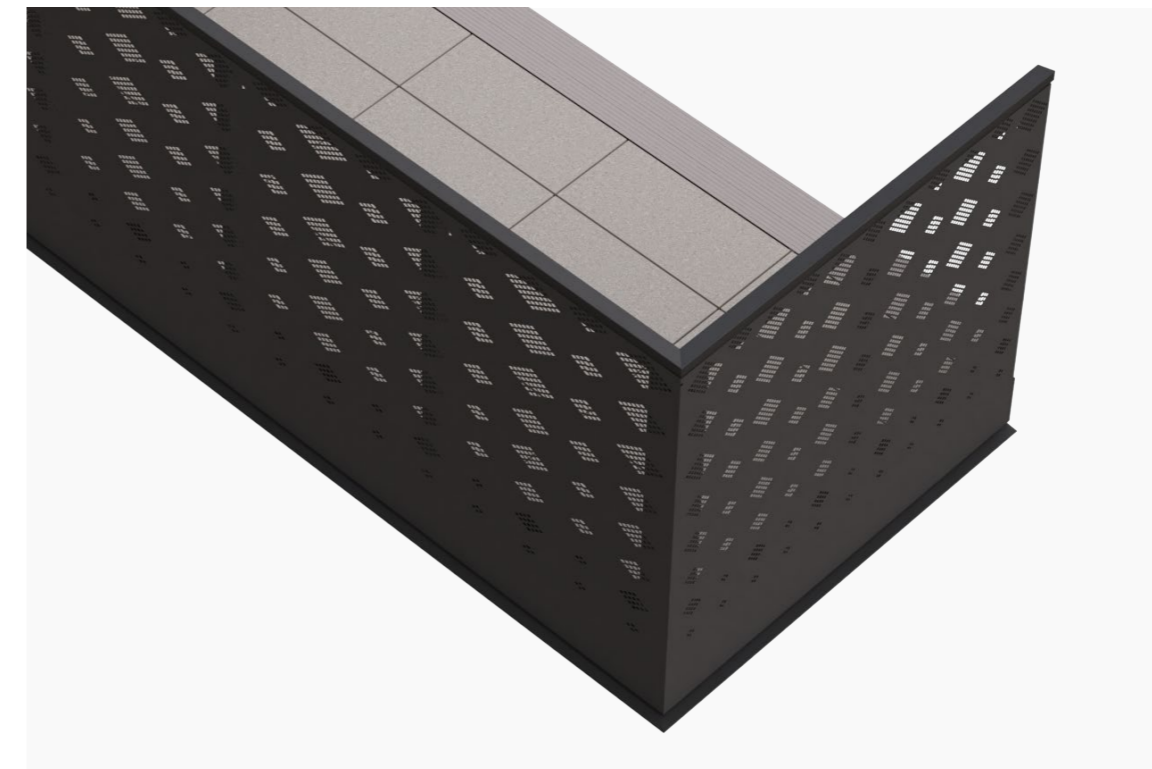
- 15° inward handrail angle helps prevent items falling outward.
- Lightweight construction for easy handling.
- Premium Qualicoat Class 2 Seaside powder coating.



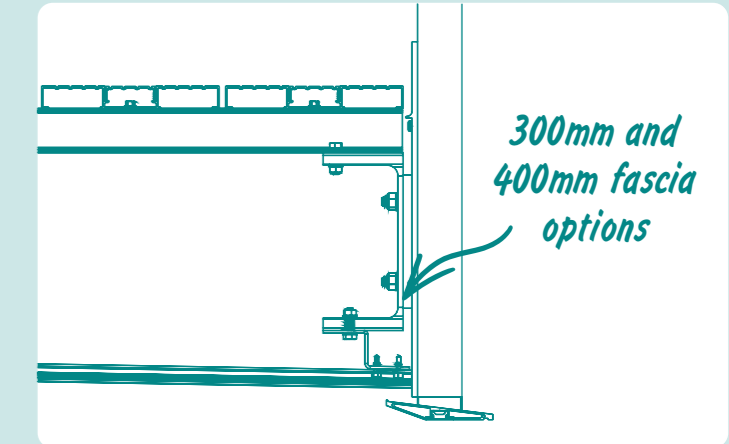
# YOUR INTENT FULLY DELIVERED

## DECORATIVE PERFORATED PANEL

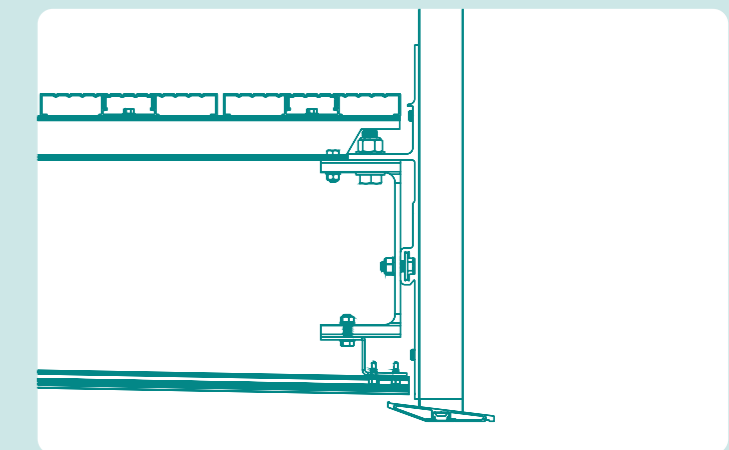
Introduce custom cut-out designs for added creativity and flexibility. Perforated panels can be tailored to match or complement the building façade, bringing character and cohesion to the balcony.



## FIXING DETAILS



Discreet Fascia Fixings



Hidden Fascia Fixings

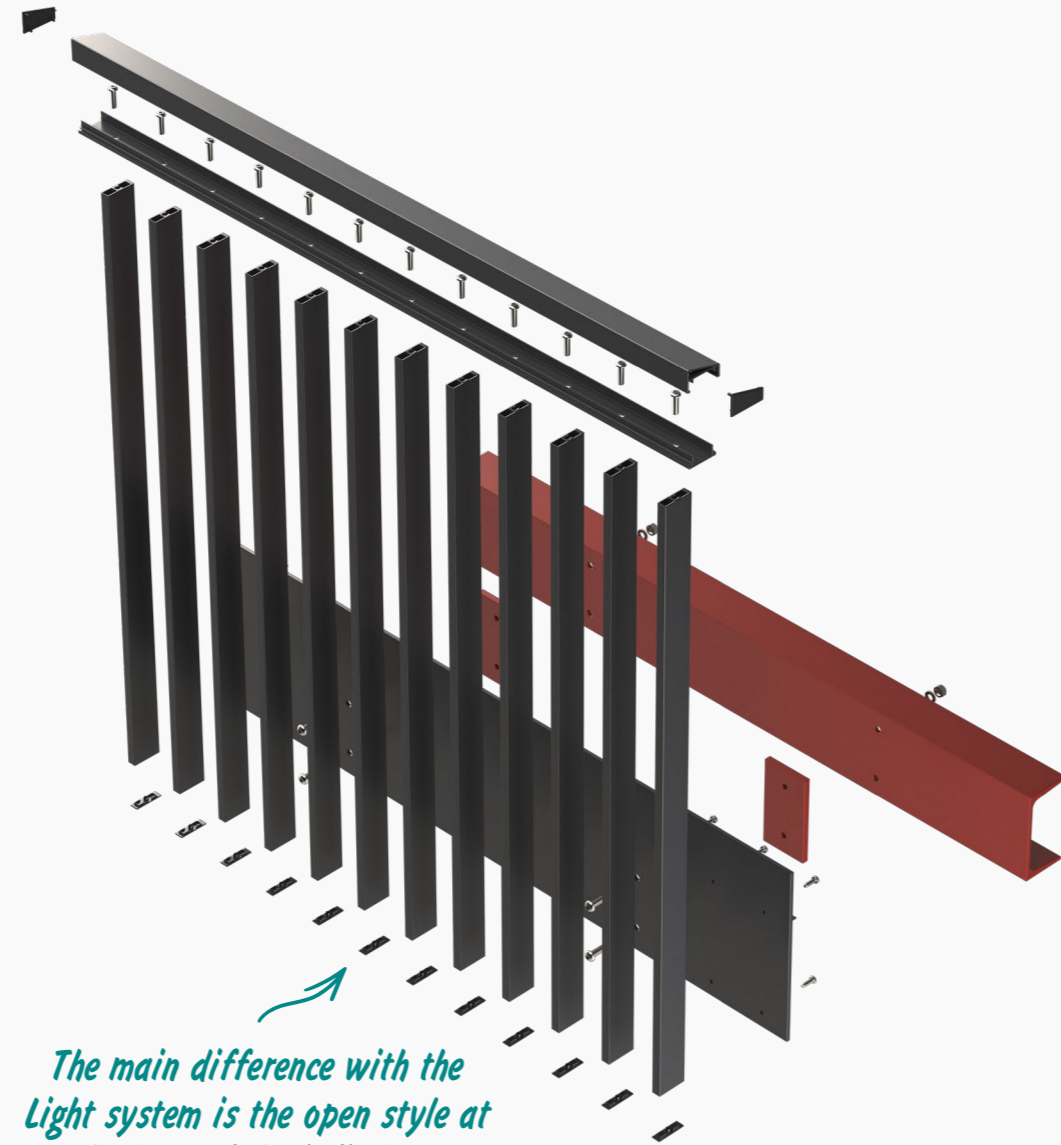


## LINEAR LIGHT BALUSTRADE

### A ROBUST BALUSTRADE SYSTEM WITH A CLEAN ARCHITECTURAL AESTHETIC

Linear Light is a robust balustrade system designed for steel frame balconies where drainage is managed within the soffit. It delivers an open, streamlined look while meeting BS 8579 requirements, including a 15° inward handrail angle to reduce the risk of objects falling from the balcony to areas below.

- 15° inward handrail angle helps prevent items falling outward.
- Lightweight construction for easy handling.
- Premium Qualicoat Class 2 Seaside powder coating.



*The main difference with the  
Light system is the open style at  
the base of the infill bars*





# SMART SOFFITS

## ONSITE OR OFFSITE INSTALLATION

Ryno soffit systems are designed to slot seamlessly into your build, whether you're installing onsite or prefabricating offsite. They simplify water management, reduce installation hassle, and integrate cleanly with balustrades and flooring. The result? A smarter, more efficient way to finish terraces—without overcomplicating the process.



# ADAPTABLE BY DESIGN



Six Standard RAL Colours – Custom Colours Available on Request



RAL 7016 - Anthracite Grey



RAL 7037 - Dusty Grey



RAL 7039 - Quartz Grey



RAL 7040 - Window Grey



RAL 8014 - Sepia Brown



RAL 8019 - Grey Brown



# BALCASMART FRAME SOFFIT

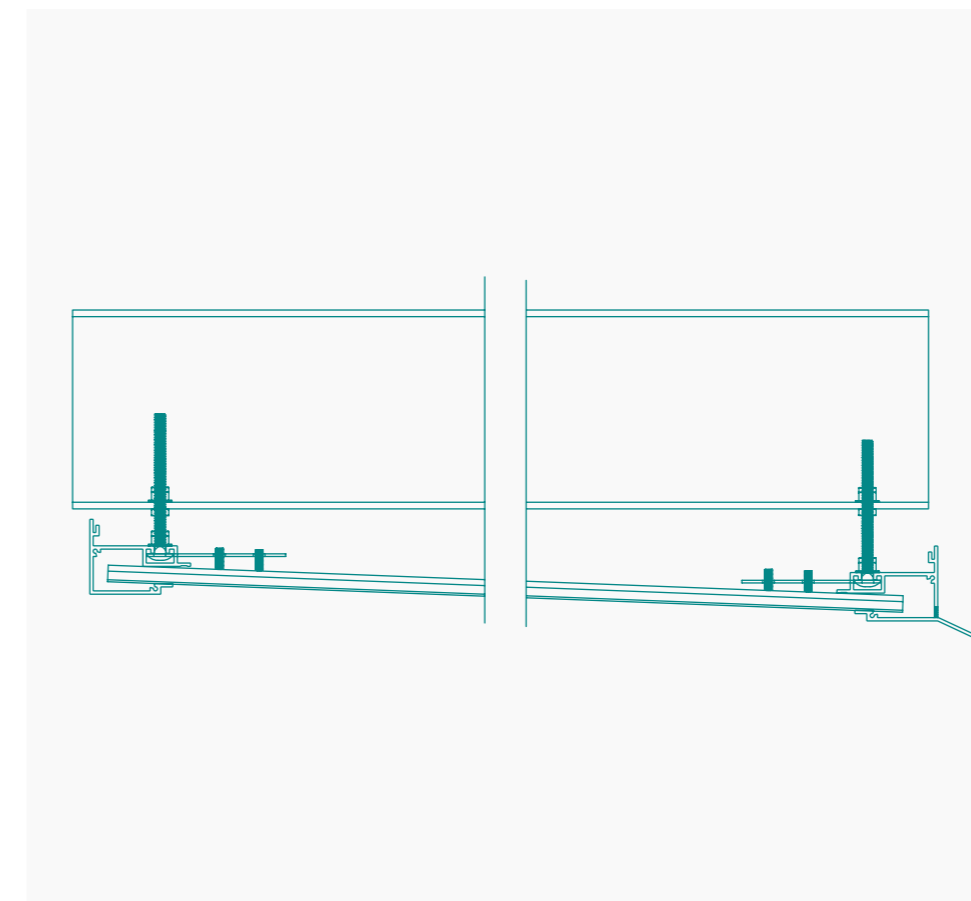
## THE SOFFIT SYSTEM THAT DEALS WITH DRAINAGE INDEPENDENTLY

Balcasmart Frame Soffit is an aluminium balcony soffit system with an integrated frame, designed for steel frame balconies. It provides a clean, structural finish and supports BS 8579 drainage compliance independently from the balustrade.

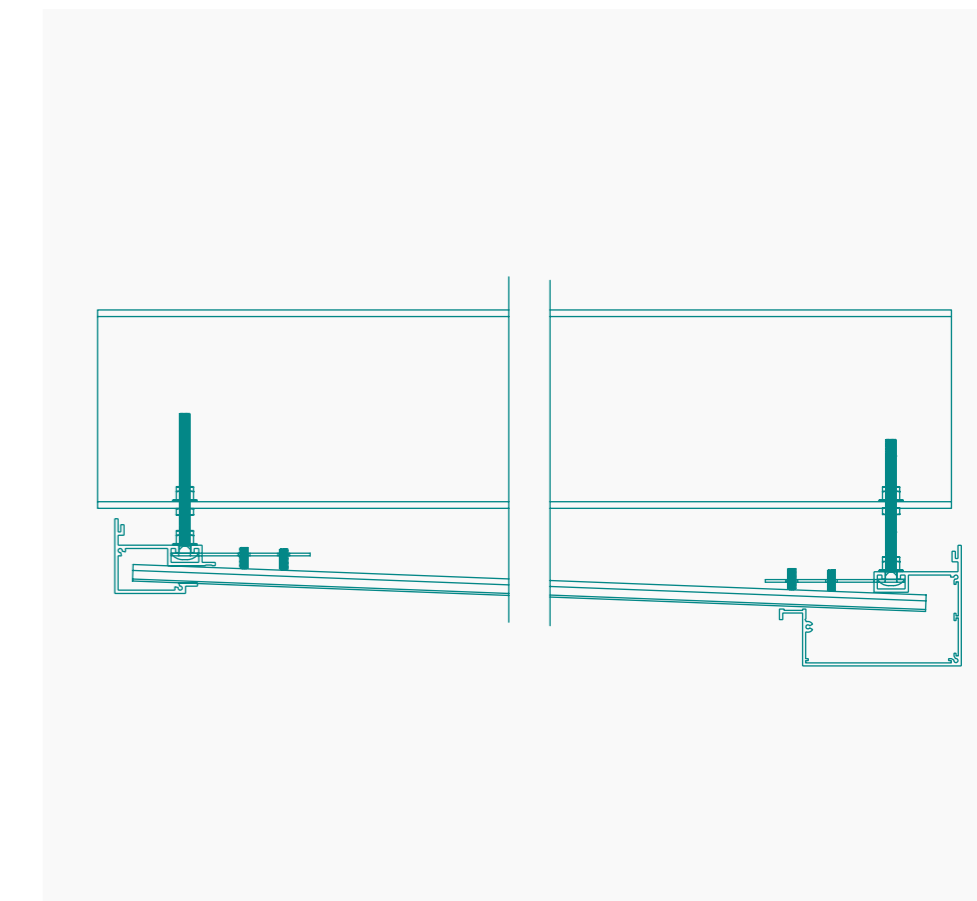
- Wide direct-fix board for simple installation.
- Hidden fixing detail for a seamless look.
- Lightweight construction for easy handling.
- Integrated drip edge for effective drainage.



## EDGE DRAINAGE DETAIL



## PIPED DRAINAGE DETAIL





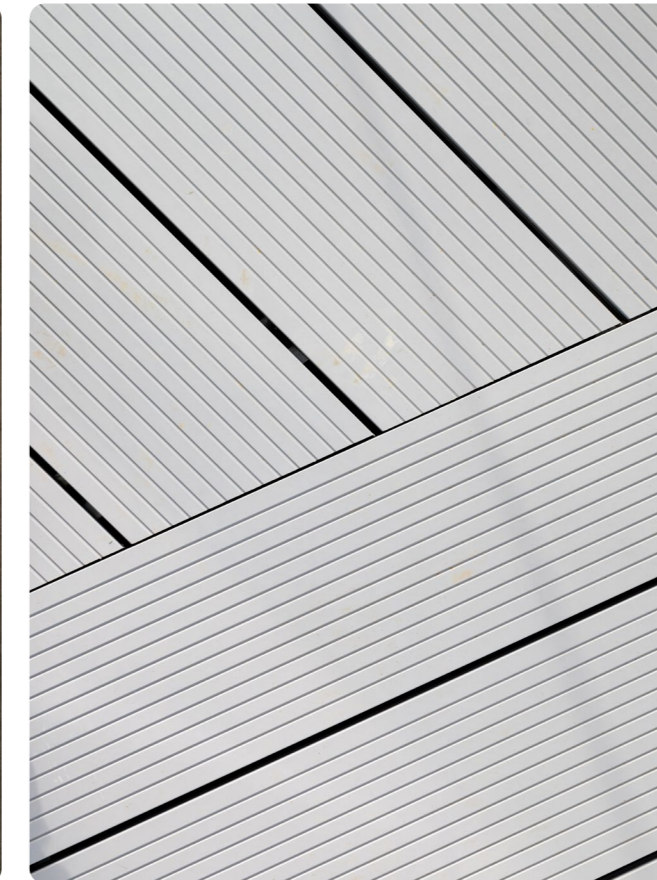
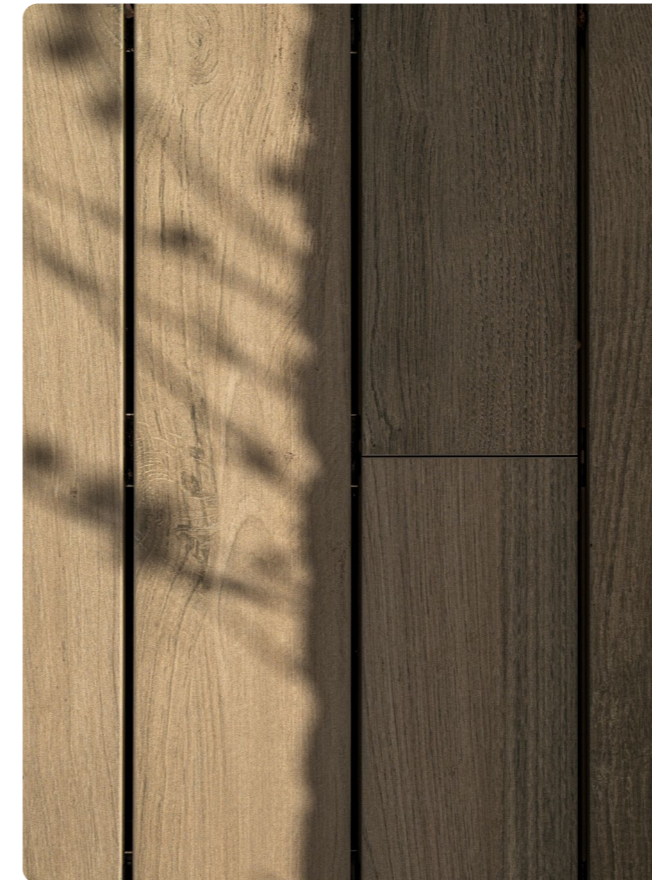
# SMART FLOORING

## WHAT YOU STAND ON MATTERS

What you stand on matters. Our aluminium decking, porcelain paving, and vitrified composite flooring systems are built to perform and refined to impress. Each option offers slip resistance, durability, and long-term reliability. Solid underfoot and finished to match the architecture, they bring a premium feel to every balcony.



# ENGINEERED TO PERFORM



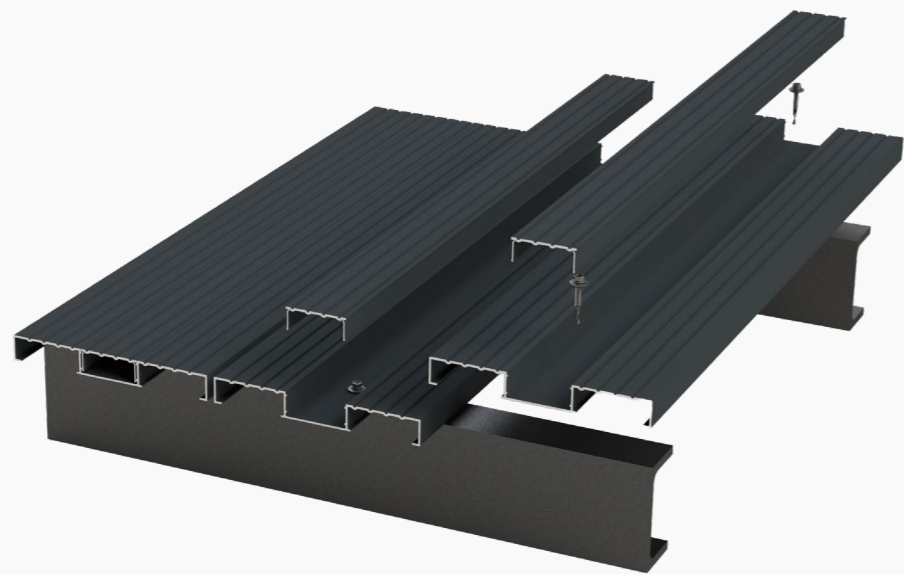


# BALCASMART ALUMINIUM DECKING

## THE DECKING SYSTEM WITH UNPARALLELED VERSATILITY

BalcaSmart Aluminium is a high-performance decking system designed for steel frame balconies. Engineered for durability and ease of installation, it provides a secure, non-combustible surface that meets the demands of modern balcony design, from new builds to remediation projects.

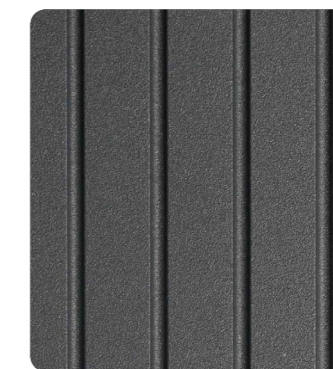
- Wide range of board options to suit different span and layout requirements.
- Premium Qualicoat Class 2 Seaside textured powder coating for superior finish.
- Slip-resistant surface tested to BS 7976-2:2002 by UKCA-accredited houses.
- 3rd party certified with Kiwa BDA, demonstrating unmatched compliance to all relevant standards.



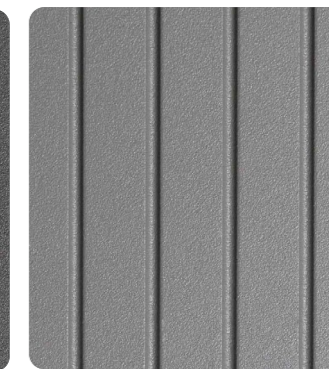
# PRACTICAL + EASY TO WORK WITH



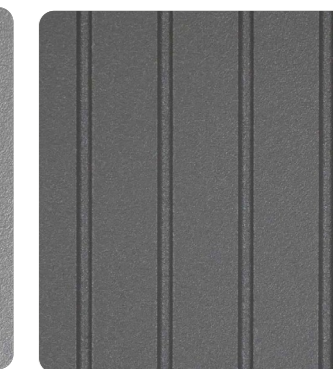
Six Standard RAL Colours – Custom Colours Available on Request



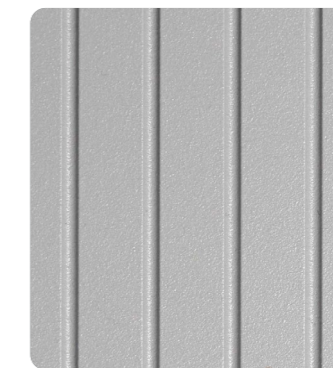
RAL 7016 - Anthracite Grey



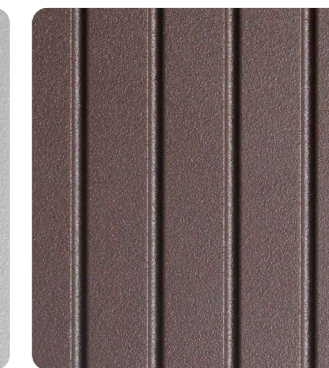
RAL 7037 - Dusty Grey



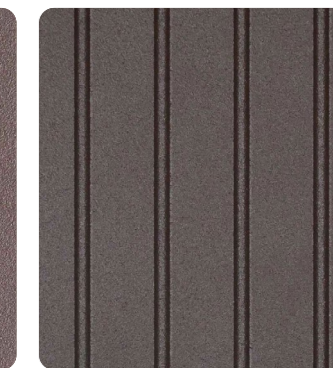
RAL 7039 - Quartz Grey



RAL 7040 - Window Grey



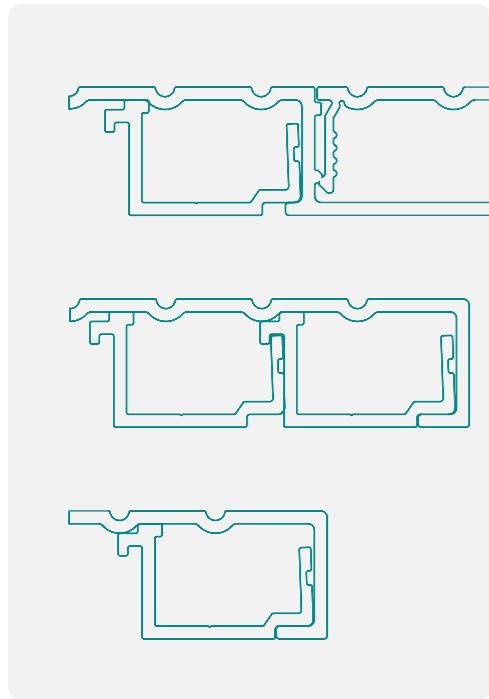
RAL 8014 - Sepia Brown



RAL 8019 - Grey Brown

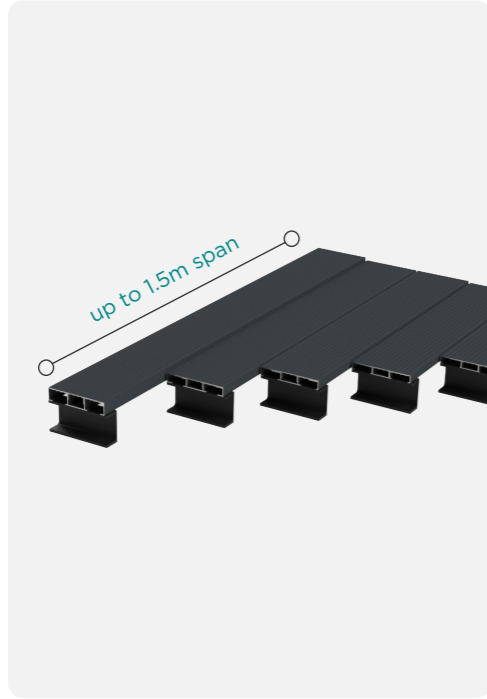


# PRACTICAL COMPONENTS. PROBLEM-SOLVING SOLUTIONS.



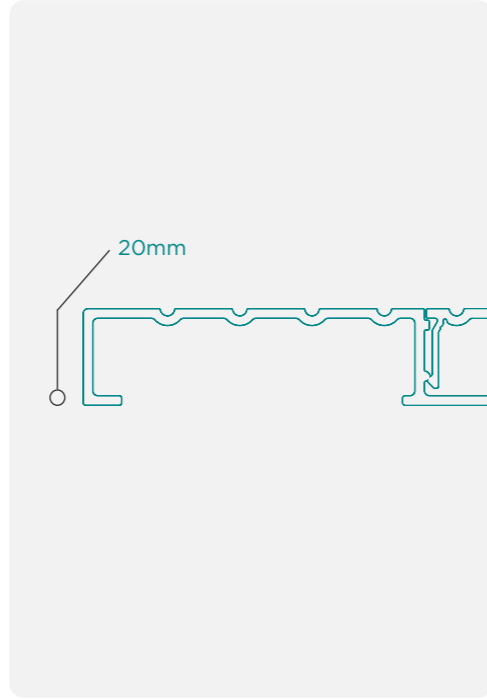
## END BOARD DRAMA, SOLVED.

Fits neatly under trimmed boards to provide secure fixing and a clean finish - even for ultra-narrow cuts. Use solo or doubled up to reduce waste and suit all DFB boards.



## SPAN SMARTER, WASTE LESS.

Select the right board for your project with spans ranging from 600mm to 1500mm. By matching board type to substructure spacing, we help reduce waste and maximise value.



## LOW BUILD-UP? NO PROBLEM.

Our 20mm slimline boards are engineered for tight applications, with span options of 600mm and 800mm. They're the perfect solution for projects where every millimetre matters.

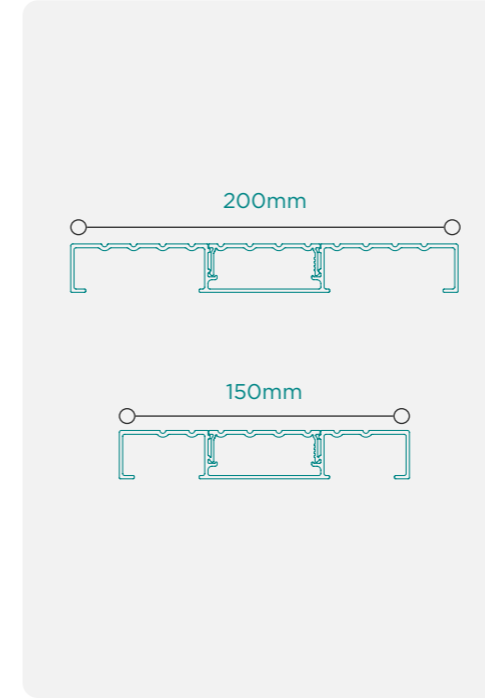


## LIFT, LAND, CLIP, DONE.

Our integrated 50mm fixing channel allows heavy-duty lifting eyes to be bolted in for craning prefabricated balconies - then concealed for a seamless look once installed.



Carefully considered parts, designed to help you overcome the real-world challenges that arise throughout the design and installation process - from tight build-ups and drainage to durability and ease of maintenance. Every component plays its part in helping you deliver better outcomes, with less hassle, and more confidence.



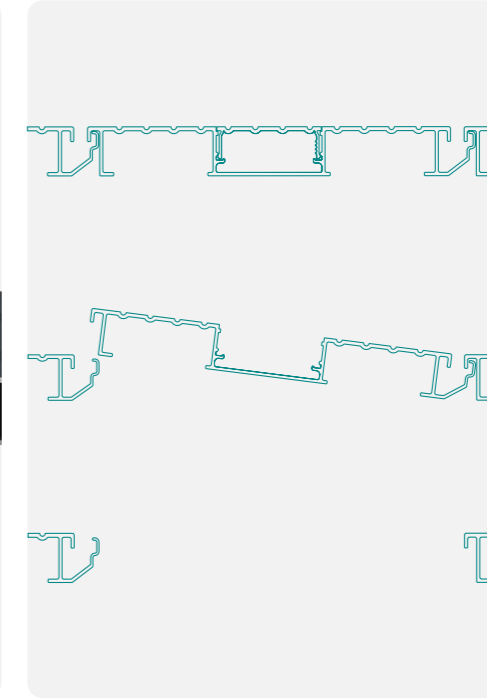
## WIDE OR NARROW BOARDS?

The standard 200mm width ensures a clean, efficient layout - also available in 150mm to suit certain project demands.



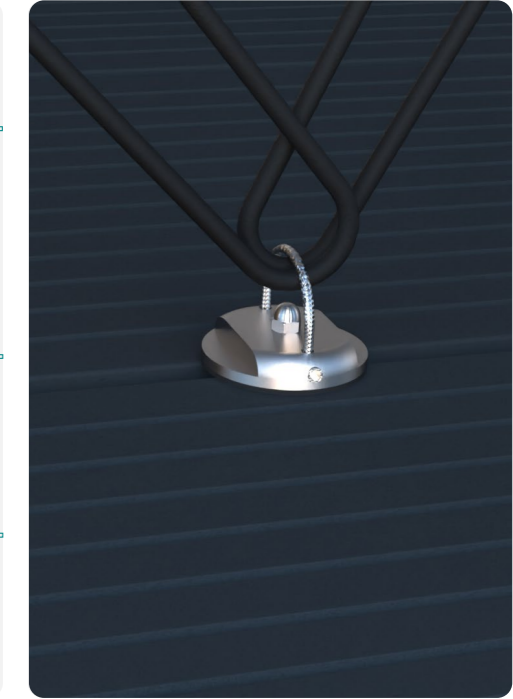
## DRAINAGE, BUILT IN.

Our drainage boards feature integrated channels to guide water to custom gutters - a simple, optional solution for bolt-on balconies needing positive drainage.



## LIFT ONE, LEAVE THE REST.

Each board can be lifted and replaced without disturbing the rest - making onsite install, maintenance, access, or replacement quick and hassle-free.



## ANCHORED FURNITURE.

Quick to install and easy to remove, the Furniture Anchor slots between aluminium decking boards to secure outdoor furniture against wind uplift - in line with BS 8579:2020.



# BALCASMART RAIL PAVING

## THE VERSATILE PAVING SYSTEM FOR STEEL FRAME BALCONIES

BalcaSmart Rail Paving is a premium system designed for steel frame balconies. It provides stable support for paving tiles and aligns with BS 8579 drainage requirements when used with either of the BalcaSmart Soffit systems.

- Allows multiple layout formats: random length, mixed width, stack bond, stretcher bond, and plank paving.
- Paving spacers enable rapid water drainage through the paving surface.
- Over 50 paving finishes and styles to choose from



# OVER FIFTY PORCELAIN FINISHES

[VIEW THE FULL COLLECTION](#)

### CONTEMPORARY CONCRETE LOOKS



Tocco Concrete - Coal Grey



Tocco Concrete - Lava Grey

### WARM WOOD TONES



Albero - Light Oak



Albero - Pure Oak

### CALMING STONE DESIGNS



Dapello - Saturn Beige



Liddio - Diorite Beige



Tocco Concrete - Chalk White



Zynero - Oyster Beige



Grano - Tudor Waxed Oak



Legnoso - Natural Oak



Tocco Core - Warm Beige



Tocco Stone - Lava Grey

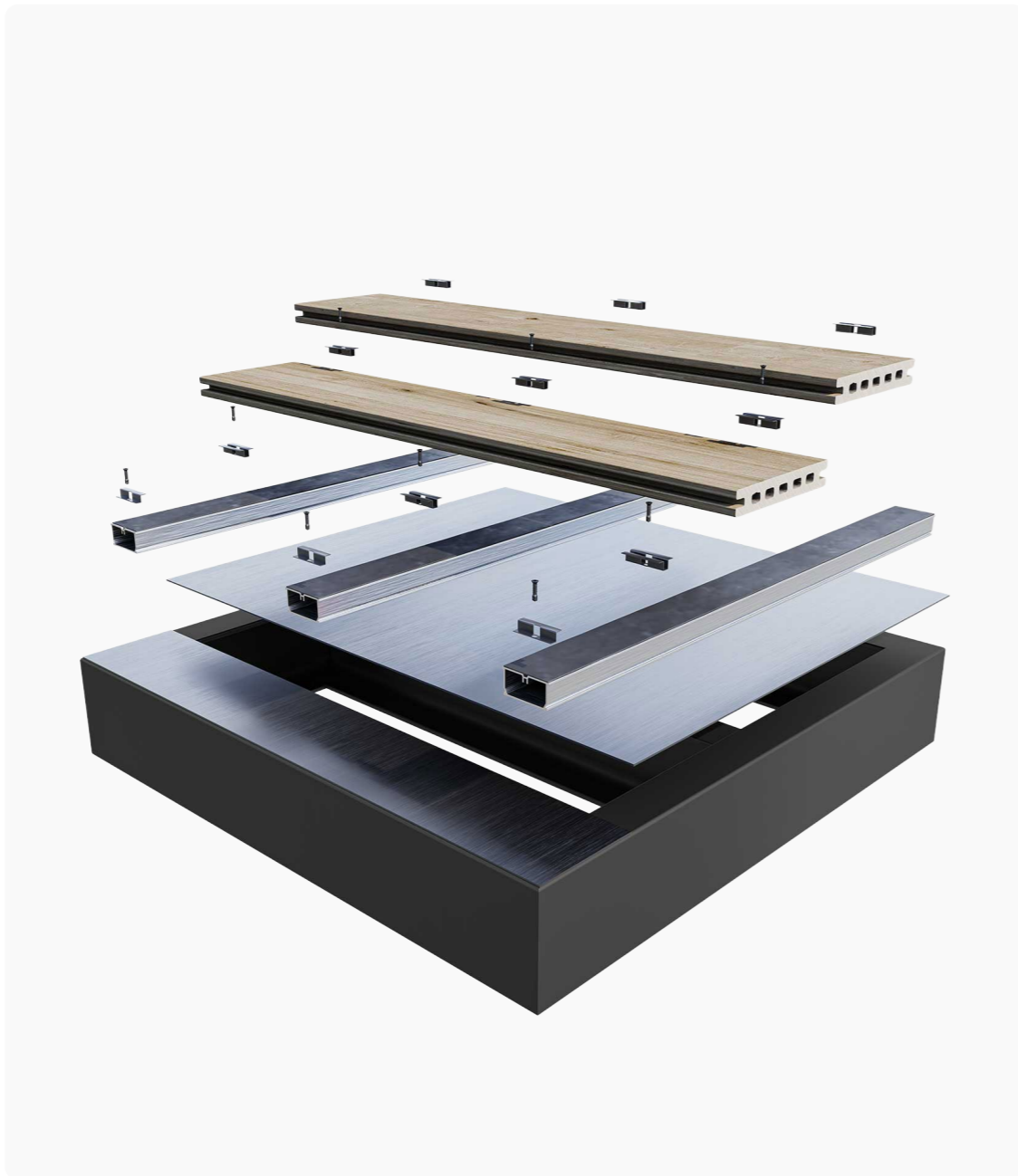


# BALCASMART VITRIFIED COMPOSITE DECKING

## THE UNIQUE TIMELESS WOOD-EFFECT DECKING SYSTEM

BalcaSmart Vitrified Composite Decking offers a non-combustible, wood-effect finish for steel frame balconies. Engineered for strength and minimal maintenance, it delivers a realistic hardwood look with exceptional performance.

- Stunning wood-effect surface with natural edge bevel.
- Extremely resistant to stains, fading, and scratches.
- Non-combustible, A1 fire rated.
- Slip-resistant surface tested to BS 7976-2:2002 by UKCA-accredited labs, achieving >36 PTV.
- Premium Qualicoat Class 2 Seaside textured powder coating for superior durability.

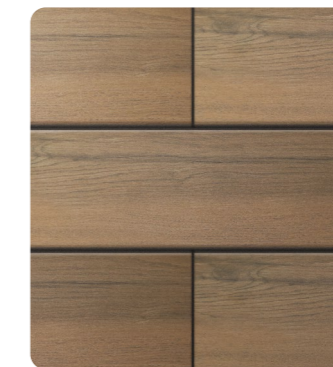


# IT ACTUALLY LOOKS LIKE WOOD

## PERFORMANCE CERAMIC PROFILE



## FIVE FINISHES TO CHOOSE FROM



Brazilian Walnut



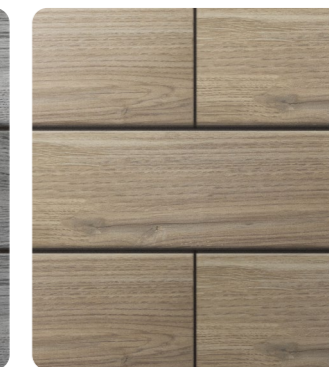
Himalayan Birch



African Greywood



Sunbleached Oak



White Poplar



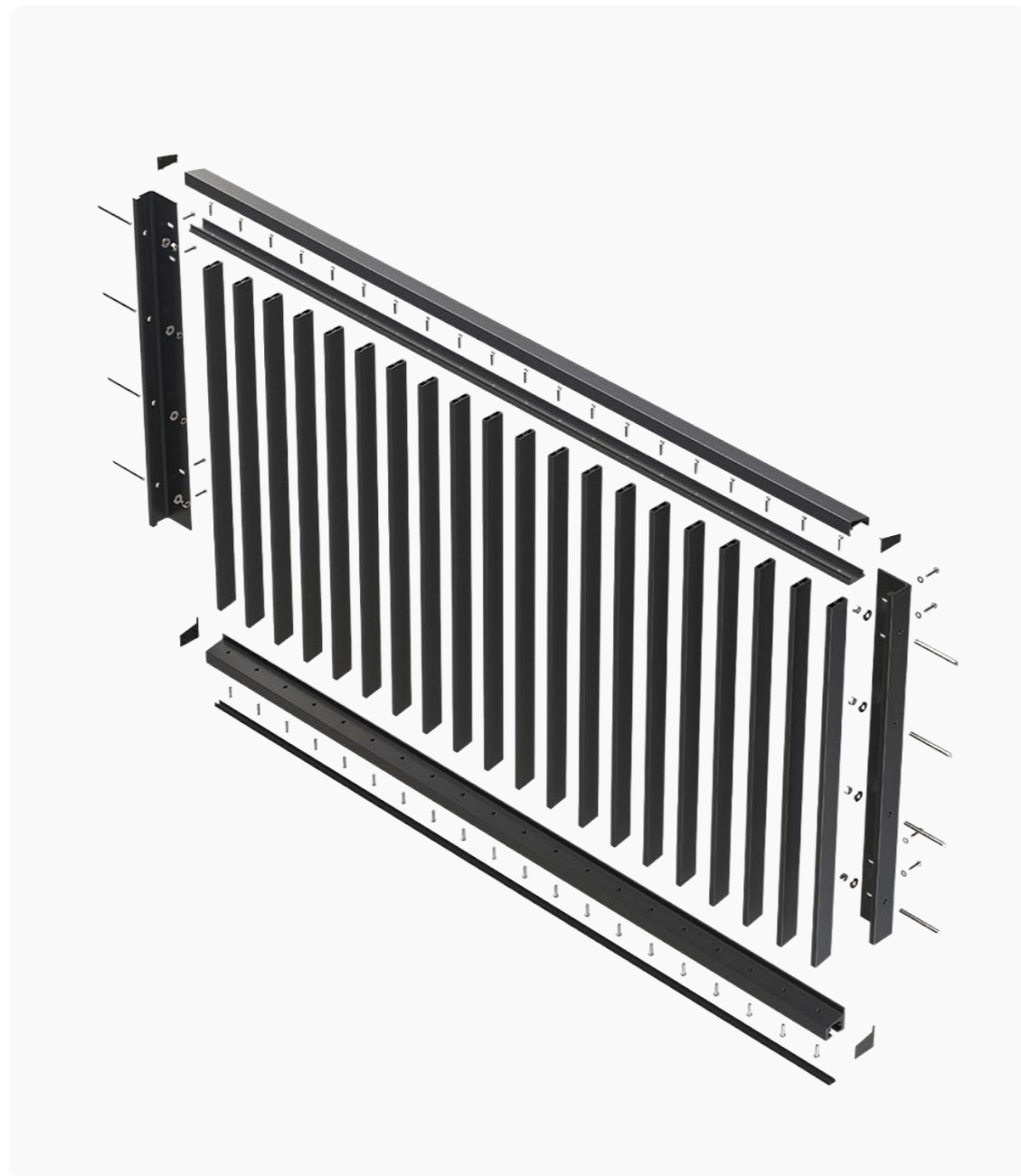
## VANTAGE VERTICAL JULIET GUARDING

### MODULAR JULIET GUARDING SYSTEM DESIGNED FOR ALL FAÇADE CONNECTIONS.

The Vantage Vertical Juliet Guarding is a beautiful modular system, capable of large spans, without any seen welding.

The extruded aluminium brackets designed to offer a universal connection to all scenarios. Patent pending 7 degree sloped base track, designed to fit any bar type.

- Various infill bars are available to suit any project.
- Full range of RAL colours. All profiles are powder coated individually, giving options for 1 solid colour, or multiple.
- Designed to match all other systems ensuring a perfect harmony of products on every project.
- Fast to install and simple to adjust.



## THREE FIXING OPTIONS

### BRICK SIDE FIX

The Side Fix variant is a fixing method for securing the balustrade to the brick facade within the door reveal.



### BRICK FAÇADE FACE FIX

The Face Fix variant is a fixing method for securing the balustrade to the brick facade within the door reveal.



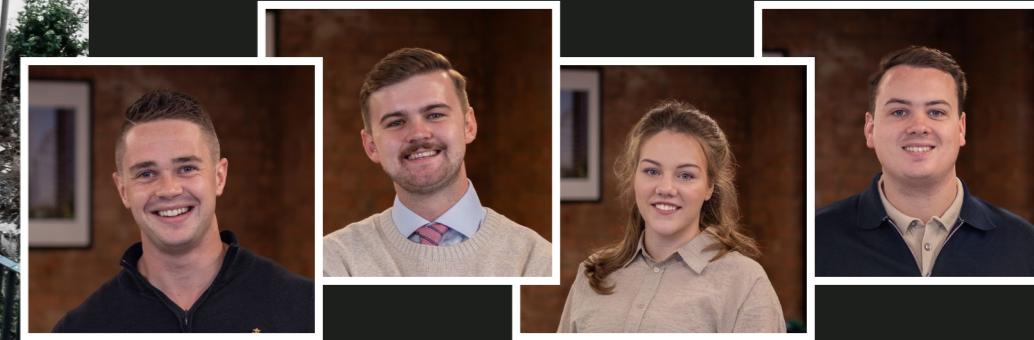
### FIX TO WINDOW FRAME

The Window Frame variant is a fixing method for securing the balustrade to the window frame.





MODULAR BALCONIES



**TALK TO SOMEONE  
WHO DOES THIS  
EVERY DAY...**

EMAIL  
[sales@rynosystems.com](mailto:sales@rynosystems.com)

PHONE  
+44 203 967 3500

# ENHANCING LIFE ON THE SKYLINE.



ARE YOU READY TO  
FINISH **STRONG?**

**RYNO LTD**

hello@rynosystems.com  
+44 (0) 203 967 3500  
rynosystems.com

**HEAD OFFICE**

Castlepoint,  
Castle Way, Ellon  
AB41 9RG

**LONDON STUDIO**

2 Sutton Lane  
London  
EC1M 5PU

**ASHFORD OFFICE**

24 Cobalt Building,  
1600 Eureka Park, Kent  
TN25 4BF