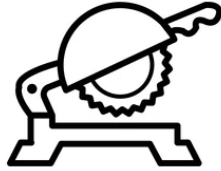




## Equipment

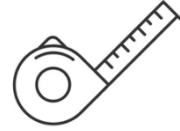
### Mitre saw

Equipped with a suitable blade for cutting aluminium



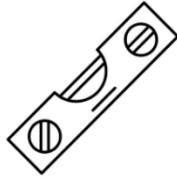
### Tape measure

Measure twice, cut once



### Level

Rotating laser level plus a standard level are recommended



### Angle grinder

Best for accurate cuts – circular saw will work



### Cordless drill

With appropriate attachment and bits



### Plastering trowel

For a perfect smooth finish



### Knife

Handy for trimming the Stabilisation Mesh



### Site PPE

Adhere to all relevant site regulations



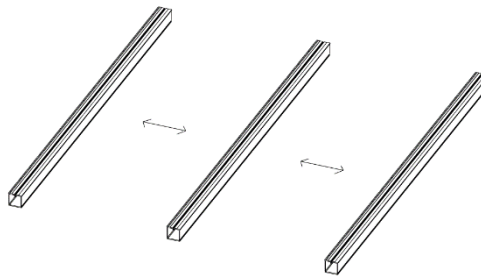
## General Notes

- Leave 3mm gap between board ends when butted end on end
- Some schemes require a 10mm gap around perimeter edge of area
- Where joists are to be butted end-on-end, ensure there is a support under the join connecting the two joists.
- Always use appropriate torque setting on cordless screwdriver for screws
- Always use the correct PPE throughout installation

### Installation Guide - Resin Bound Gravel Flooring System

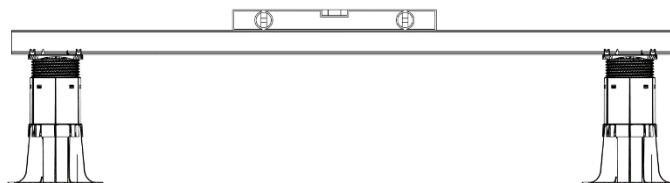
1. Lay joists out on substrate at required centres (as per Baseboard span, see datasheet). Fig A

Fig A



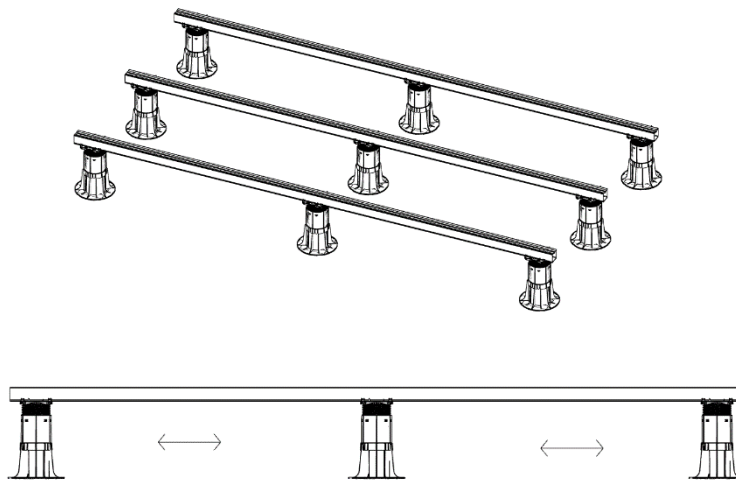
2. Lift joists on to pedestal supports at each end of joist and level up. Fig B

Fig B



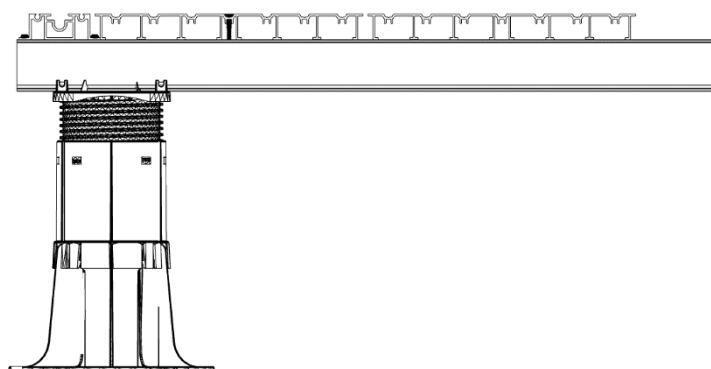
3. Level all joists to the same level

4. Add intermediate supports at required centres along joist (as per joist span, see datasheet). **Fig C**



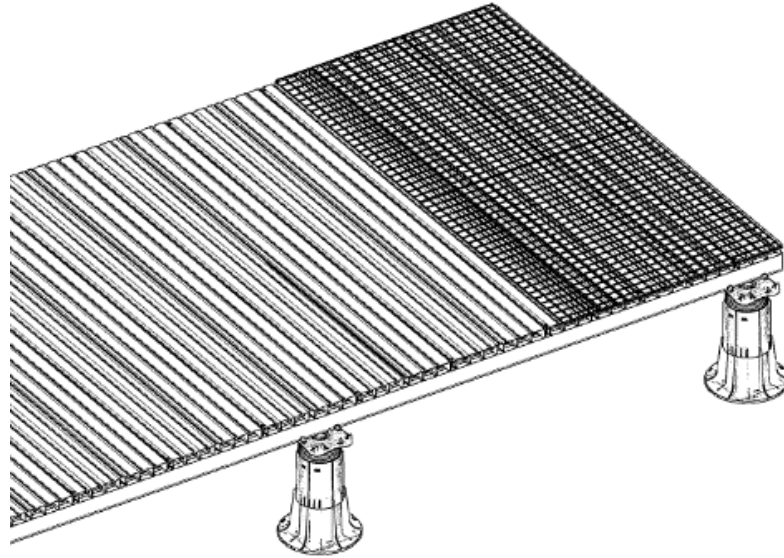
5. Where joists are to be butted end-on-end, ensure there is a support under the join connecting the two joists.
6. Once all joists are level and fully supported, establish where the first Baseboard will be laid
7. Fasten down Baseboards with BBS baseboard screws, using the recesses on the surface to ensure screw heads sit flush with the surface and not proud. Ensure at least 1 screw is fastened into each supporting joist. Leave a 5mm gap between each board to allow drainage. **Fig D**

**Fig D**



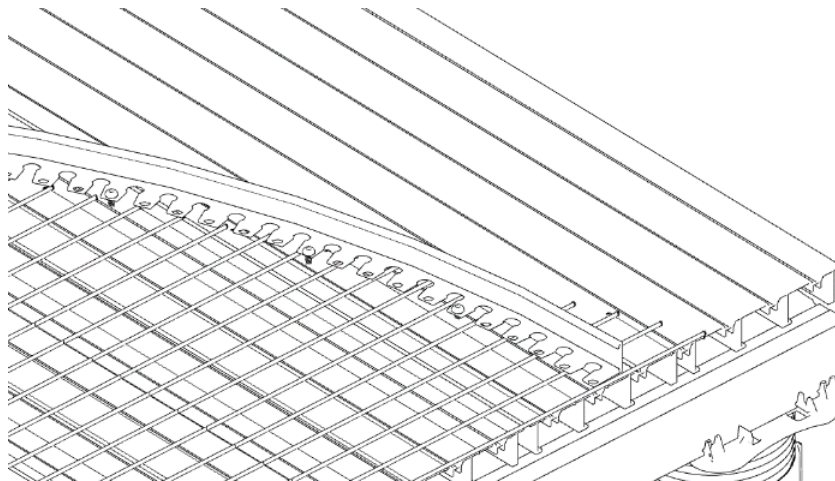
8. Repeat step 7 until last board

9. Installing the last Baseboard;
  - a. If last board fits perfectly and does not require ripping down length, simply fasten board as per point 7
  - b. If last board is wider than the space available, simply cut board down to required width before fastening down.
10. Once baseboard layer is complete, overlay the Stabilisation Mesh, trimming so there is none exposed at the edge of the area being laid. **Fig F**



11. If Boundary Profile is being installed, fasted this down to the perimeter of the area using BBS baseboard screws, fixing at maximum 600mm centres. **Fig G**

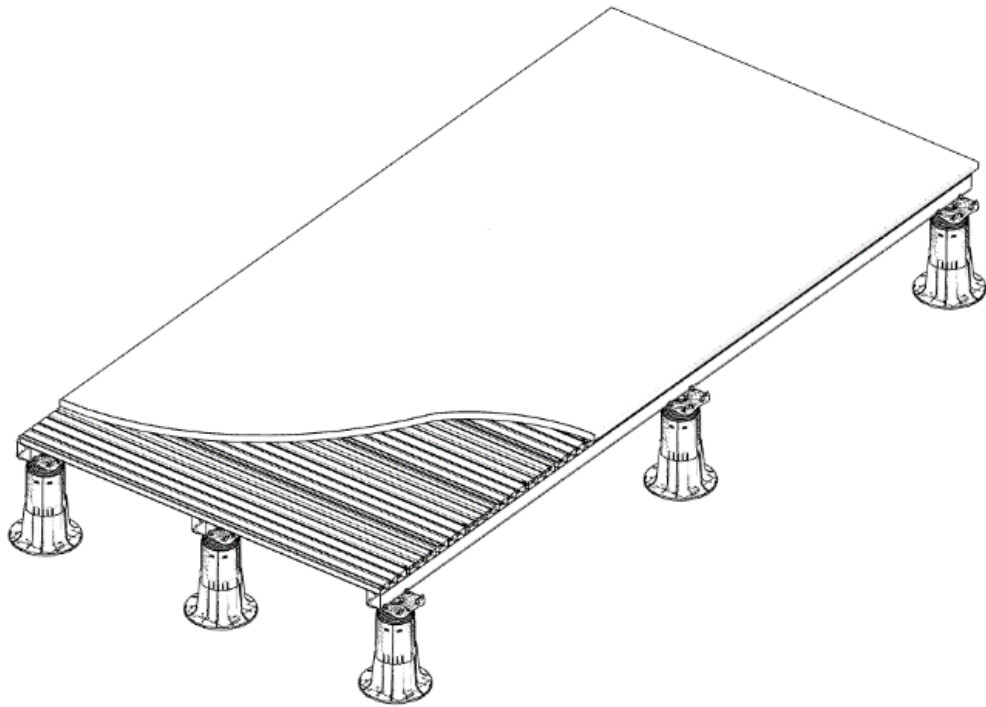
**Fig G**



12. Once supporting structure is complete, apply the Resin Bound Gravel Screed in accordance with the Mix Sheet attached to the delivery.

13. Stand back and admire the finished product! Fig H

Fig H



# Contact us

**Head office**

Castlepoint  
Castle Way  
Ellon  
AB41 9RG

**The Studio**

2 Sutton Lane  
Off Clerkenwell Road  
London  
EC1M 5PU

**Telephone:**

+44 (0)203 9673500

**Email:**

[enquiries@rynosystems.com](mailto:enquiries@rynosystems.com)