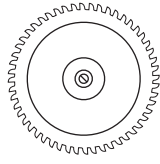
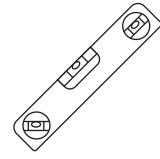


Porcelain Bridge Saw



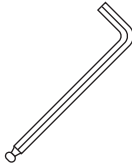
Levels

Rotating laser level plus a standard level is recommended



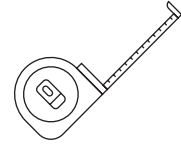
Ball ended hex key

Available from RYNO



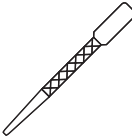
Tape Measure

Measure twice cut once and repeat



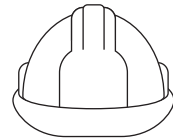
Nail Punch Set

Available from RYNO



Site PPE

Adhere to all relevant site regulations

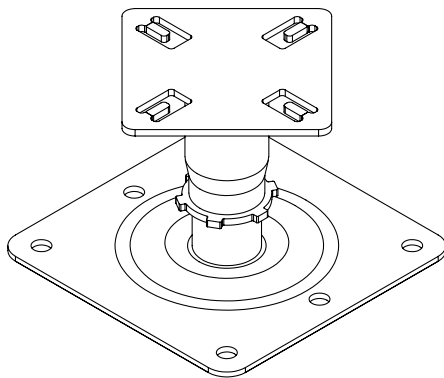


General Notes

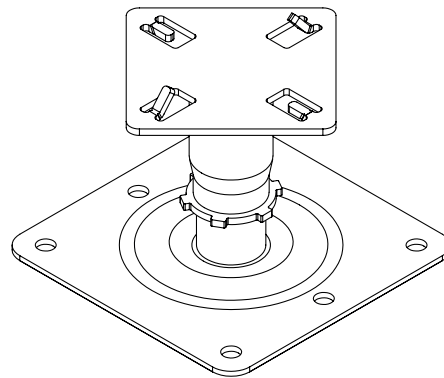
- On delivery, all products should be inspected. If there are any issues with our products, please report them immediately and do not commence installation
- Safe working practise should be observed at all times during the installation process and all necessary Personal Protective Equipment (PPE) should be worn
- Cutting porcelain should be carried out using a water and dust suppressed diamond tipped power saw
- Always use appropriate torque setting on cordless screwdriver for screws
- Always use correct PPE throughout installation

1. Determine the desired slab layout:
 - a. Full slab starting in the corner of the area with cut slabs at the end
 - b. Full slab starting in the centre of the area with cut slabs around the perimeter
2. Use a nail punch and hammer to fold down spacer tabs on the pedestals:
 - a. All 4 spacer tabs for edge support. **Fig A.**
 - b. Two aligning spacer tabs for edge support. **Fig B.**

(A)

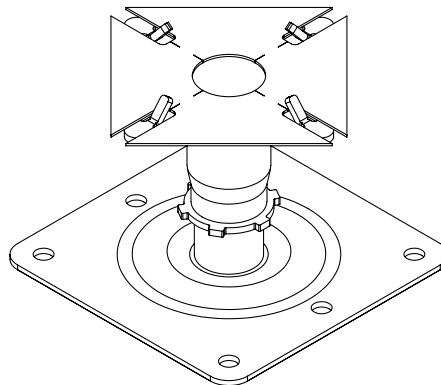


(B)



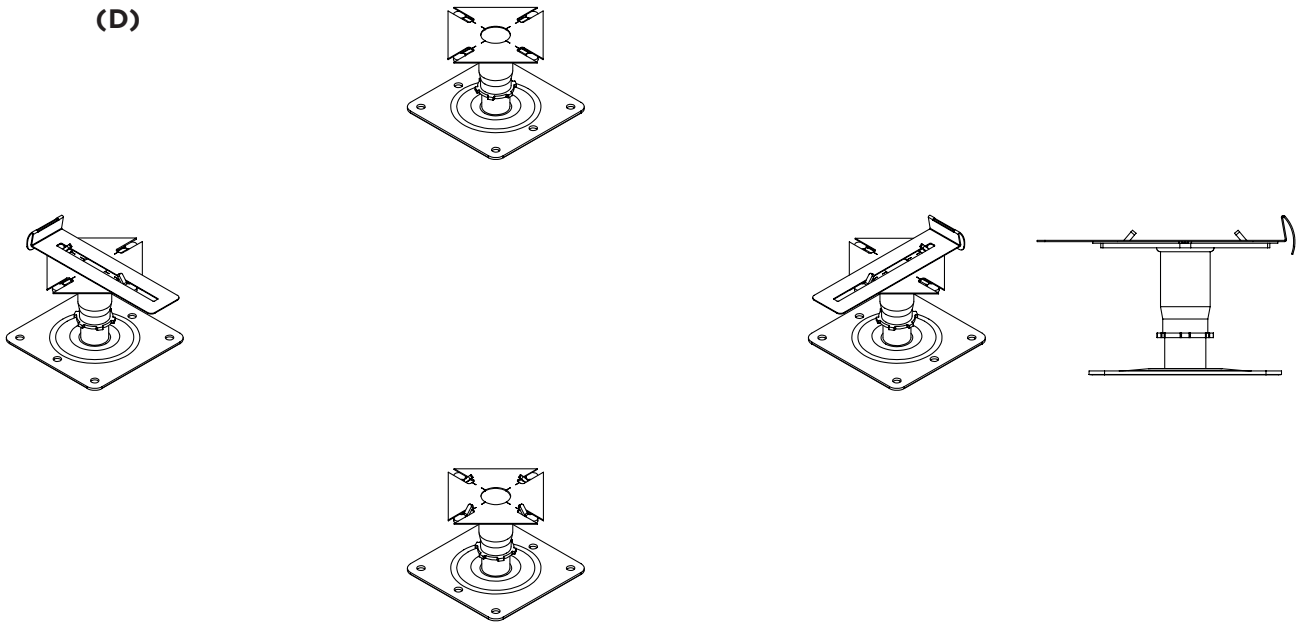
3. Place head rubber shockpads on top of pedestals. **Fig C.**

(C)



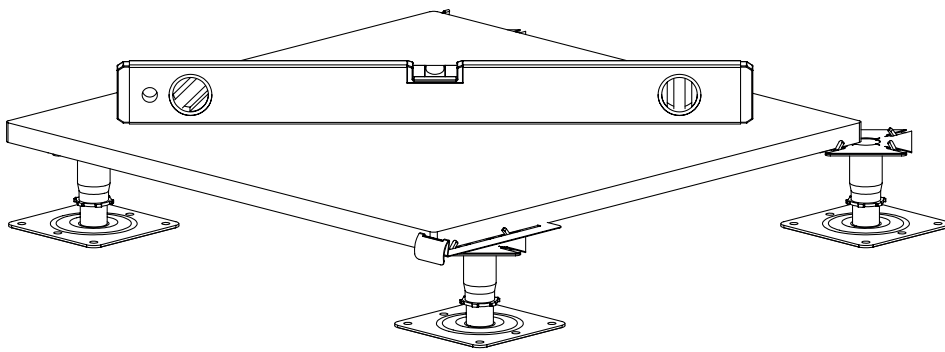
4. Place the first 4 pedestals in the desired area. When positioning pedestals along the perimeter of an area, ensure edge spring clips are used to create uniform spacing along these edges. **Fig D.**

(D)



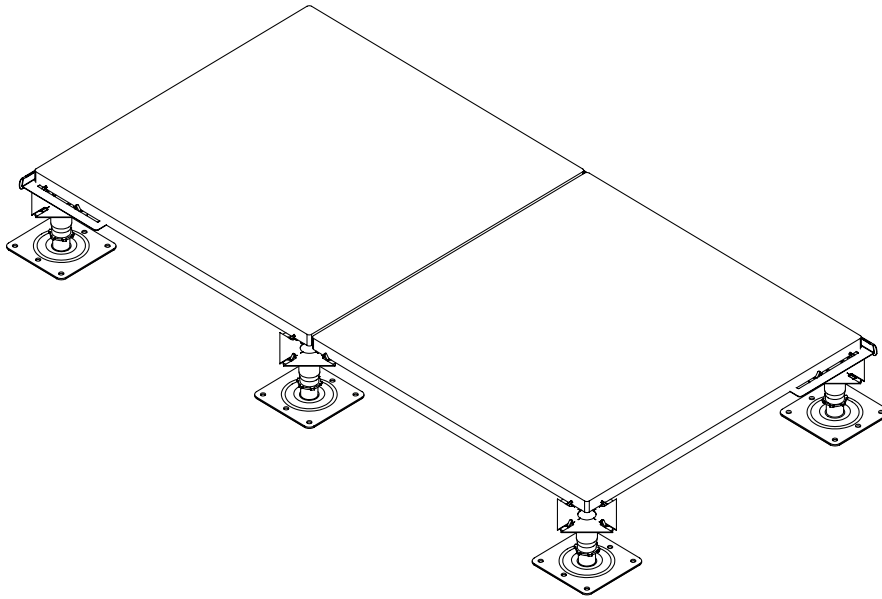
5. Lay slab on top of pedestals. Set the height of the slab and pedestals by placing a spirit level diagonally on the slab and twisting the pedestal upper shaft clockwise (down) or anti-clockwise (up). Tighten the locking nut to lock the pedestal height. **Fig E.**

(E)



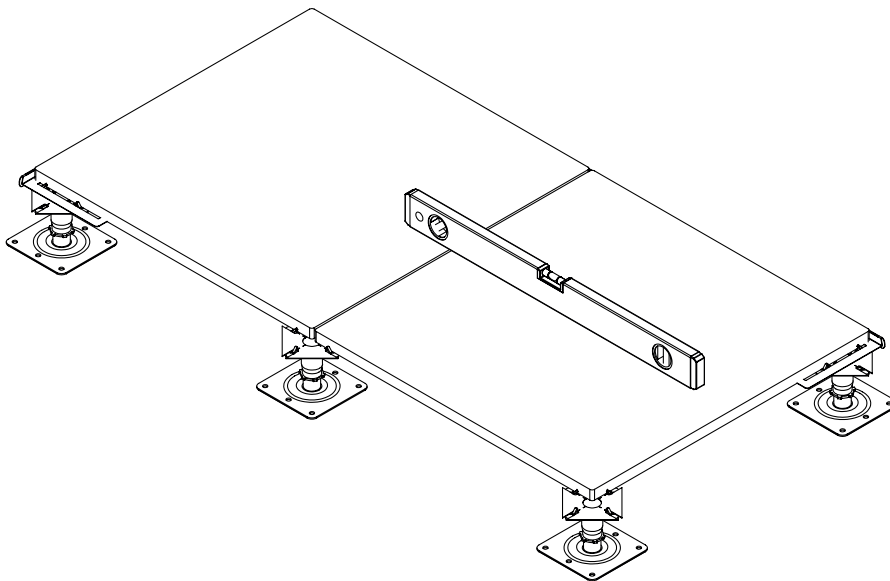
6. Position the next set of pedestals in place and lay slab on top. **Fig F.**

(F)



7. Level the slab with the previous by using a spirit level and raising/lowering the pedestals as described in point 5. If necessary, you can make minor adjustments to finished surface level by adding sections of head rubber shockpads beneath the tiles. **Fig G.**

(G)



8. Repeat steps 5-7 until the area completed.

Contact

**Head Office**

Castlepoint
Castle Way
Ellon
AB41 9RG

The Studio

2 Sutton Lane
off Clerkenwell Road
London
EC1M 5PU

Telephone:

+44 (0)203 9673500

Email:

enquiries@rynogroup.co.uk

Ryno Ltd
Registered no: 09623250
VAT no: GB 214 3190 46

Registered address: Europa House,
Alford Road, Cranleigh, GU6 8NQ