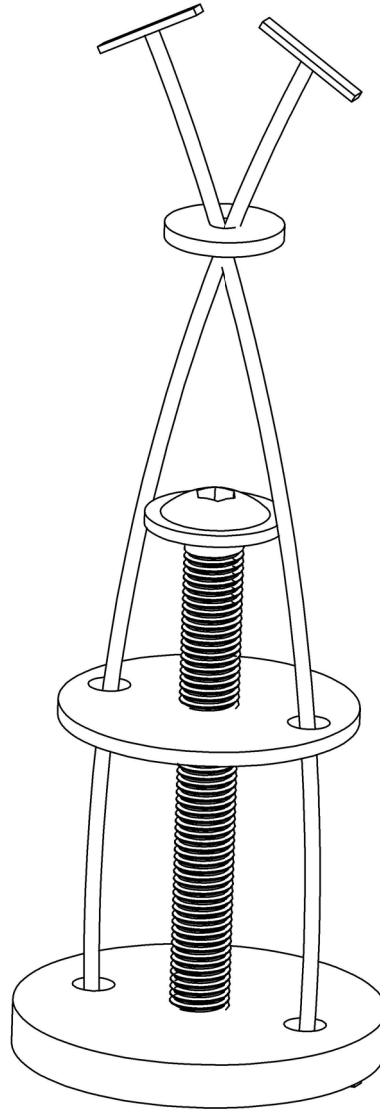


Retrofit Wind Uplift Restraint

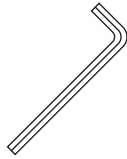
Installation Guide

Version: 1.0
Issue: April 2024

UK Patent application GB2318686.9

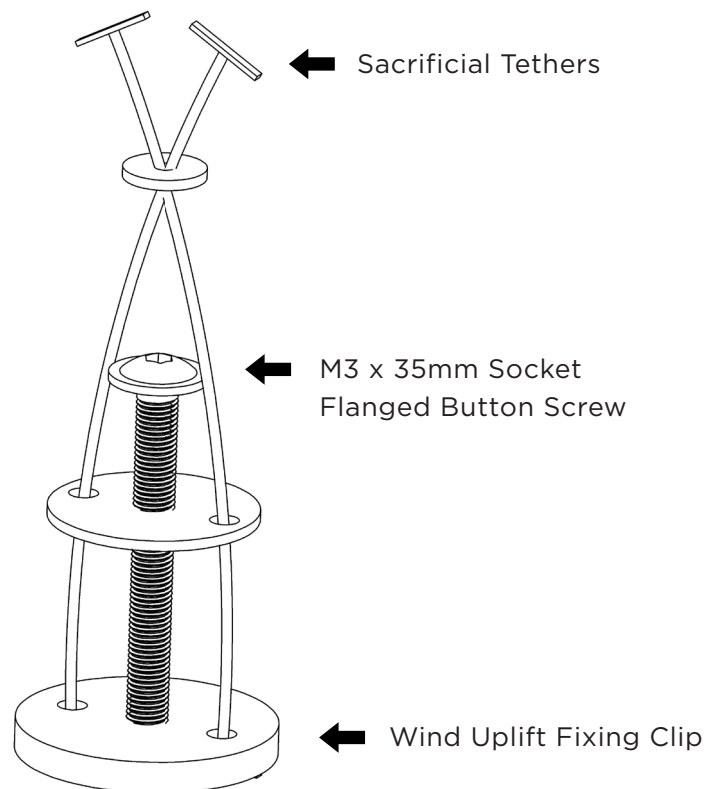


Allen/Hex Key
2mm Socket

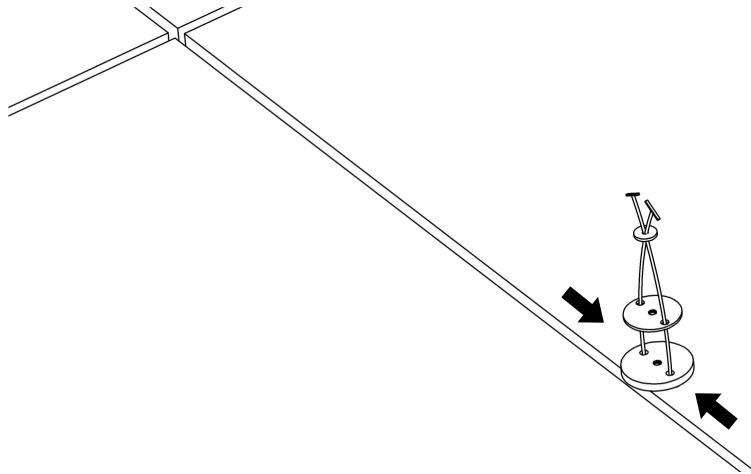


General Notes

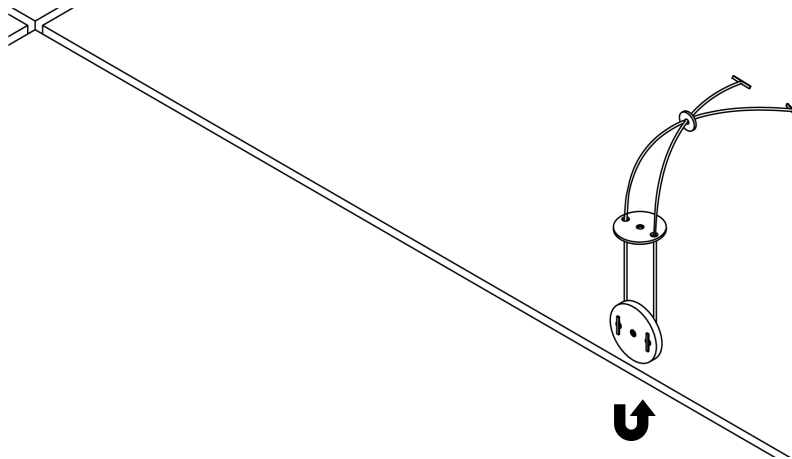
- On delivery, all products should be inspected. If there are any issues with our products, please report them immediately and do not commence installation
- Safe working practise should be observed at all times during the installation process and all necessary Personal Protective Equipment (PPE) should be worn
- Always use correct PPE throughout installation



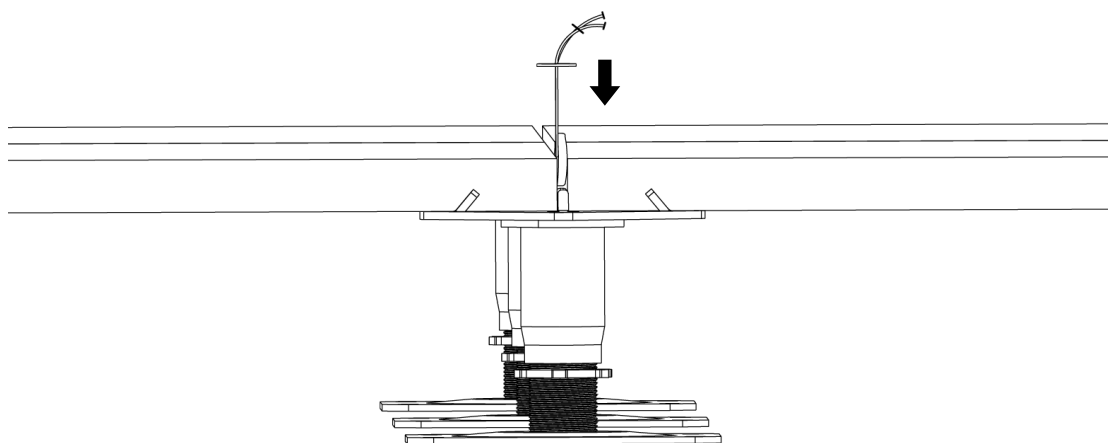
1. Position the clip at the centre of side of tile.



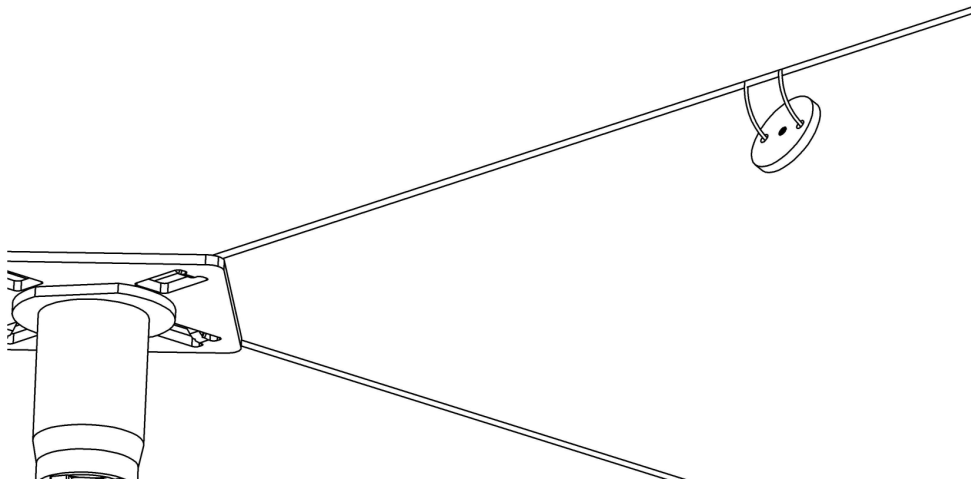
2. Turn the bottom washer vertical.



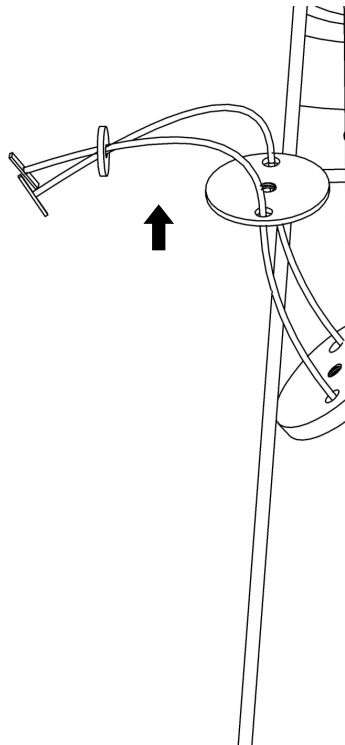
3. Insert the clip through the gap between the tiles.



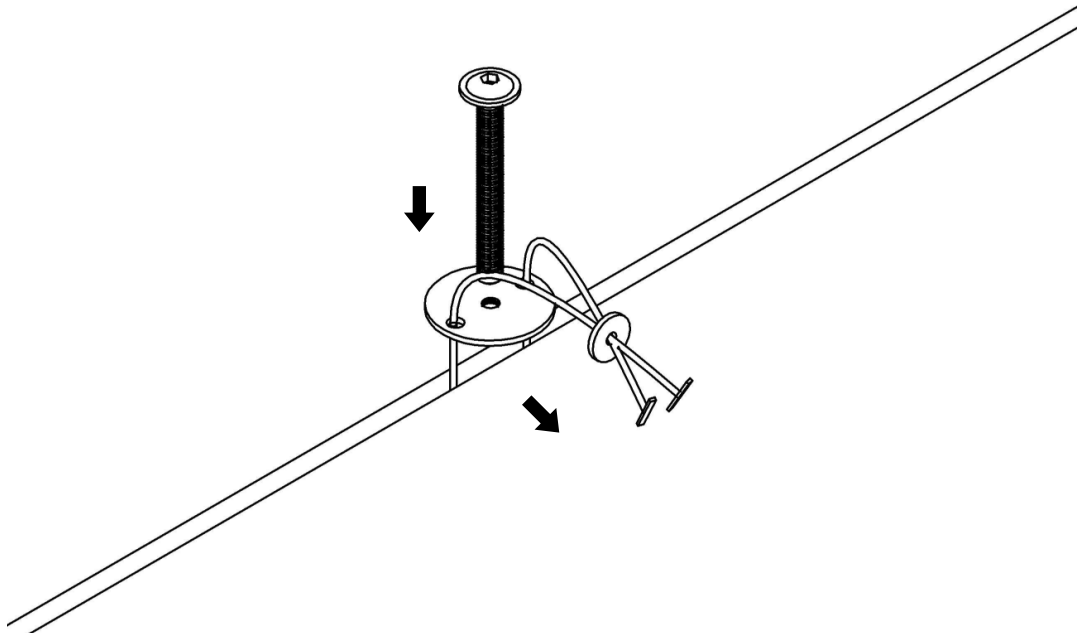
4. Ensure the bottom washer protrudes beneath the paving completely.



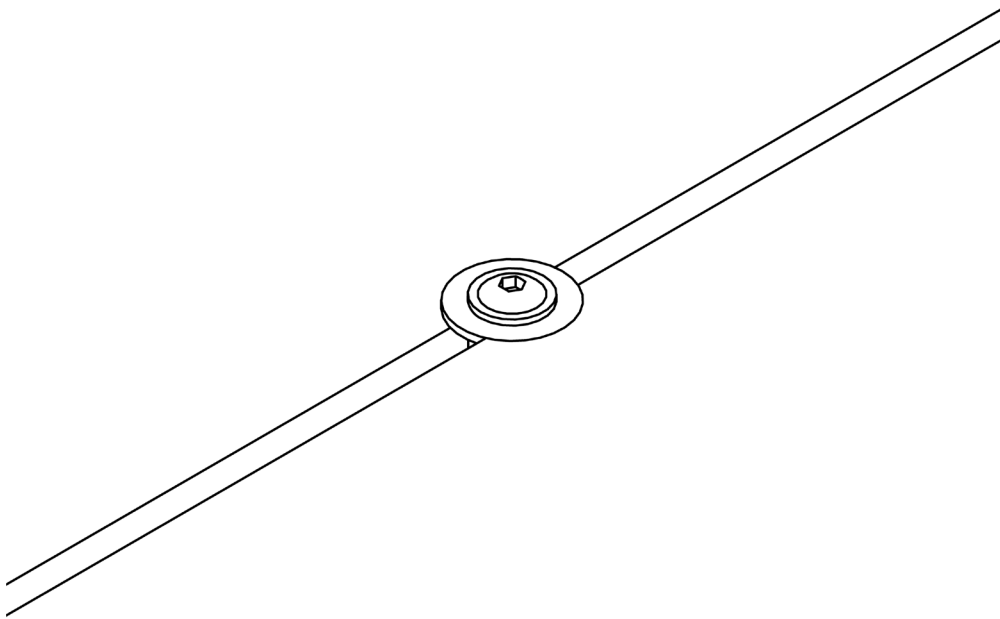
5. By lifting the looped tag on the upper section, pull the lower washer tightly against the tile, enabling you to locate and engage the screw.



6. Once located, use an allen/hex key to tighten the screw securely.



7. Once the clip is fully fastened, pull the tether until it snaps off.



Contact



Head Office

Castlepoint
Castle Way
Ellon
AB41 9RG

The Studio

2 Sutton Lane
off Clerkenwell Road
London
EC1M 5PU

Telephone:

+44 (0)203 967 3500

Email:

sales@rynosystems.com

Ryno Ltd
Registered no: 09623250
VAT no: GB 214 3190 46

Registered address: Europa House,
Alford Road, Cranleigh, GU6 8NQ