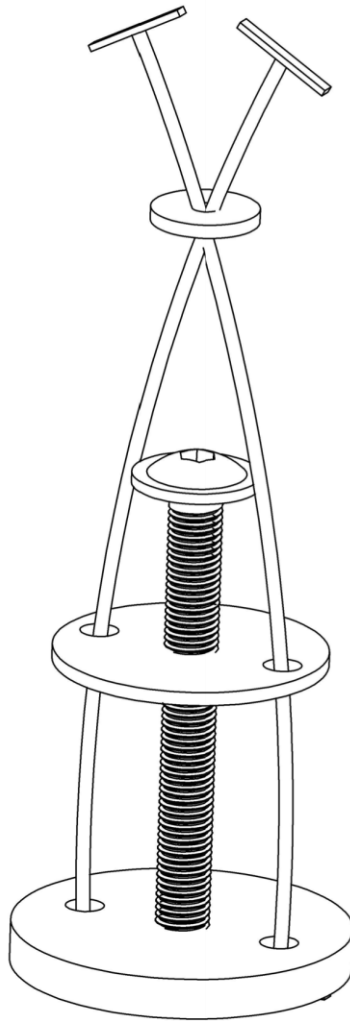


# RFC-WU

## Retrofit Wind Uplift Clip - Install Guide





← Sacrificial Tethers

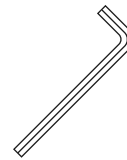
← M3 x 35mm Socket Flanged Button Screw

← Wind Uplift Fixing Clip

## Equipment

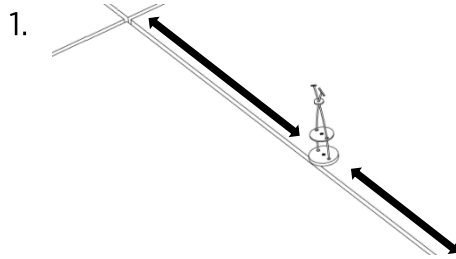
**Allen/Hex Key**

2mm Socket



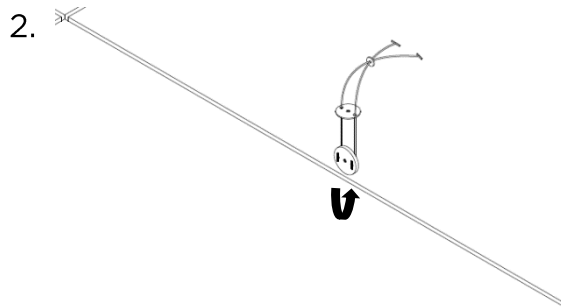
## General Notes

- On delivery, all products should be inspected. If there are any issues with our products, please report them immediately and do not commence installation
- Safe working practise should be observed at all times during the installation process and all necessary Personal Protective Equipment (PPE) should be worn
- Always use correct PPE throughout installation

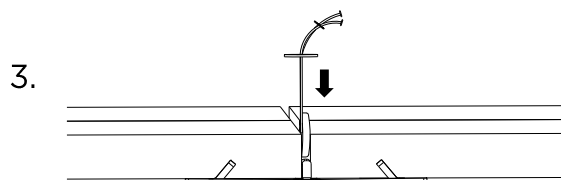


Position the clip at the centre of the gap at each side of the tile.

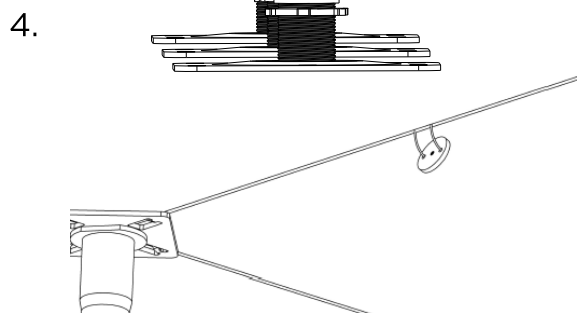
*Note: This rule applies to all gaps between tiles, including around the perimeter. It is key to maintaining the integrity of the system in the most challenging weather conditions.*



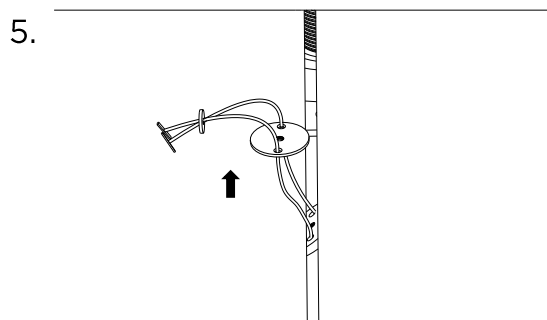
Turn the bottom washer vertical.



Insert the clip through the gap between the tiles.

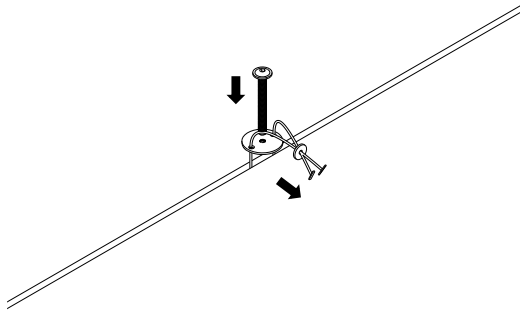


Ensure the bottom washer protrudes beneath the paving completely.



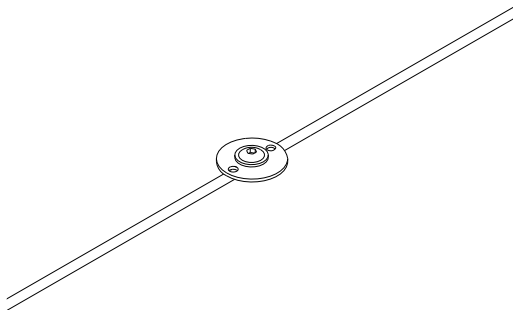
By lifting the looped tag on the upper section, pull the lower washer tightly against the tile, enabling you to locate and engage the screw.

6.




Once located, use an allen key to tighten the screw securely.

7.





Once the clip is fully fastened, pull the tether until it snaps off.

### Compatible Systems


**BalcaSmart™ Pedestal**

Straightforward, robust paving system for metal-frame balconies

**TerraSmart™ Pedestal**

Straightforward, robust paving system for waterproofed substrates



**TerraSmart™ Pedestal**

Straightforward, robust paving system for waterproofed substrates, **where non-combustibility isn't required**

Visit [www.rynogroup.co.uk](http://www.rynogroup.co.uk) or call us today on **+44 (0)203 967 3500** or reach out on [sales@rynogroup.co.uk](mailto:sales@rynogroup.co.uk).