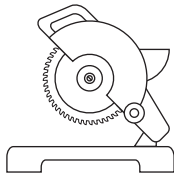


RN-P-2002-ISG-01 - Issue 1.0
September 2022



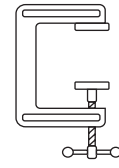
Mitre saw

Equip with a suitable blade for cutting aluminium



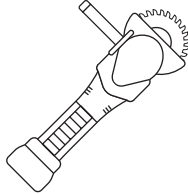
G-Clamp

Once you have used A through F clamps



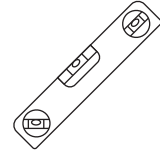
Angle Grinder

Best for accurate cuts, but a circular saw will work



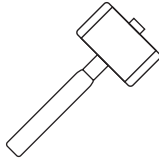
Levels

Rotating laser level plus a standard level is recommended



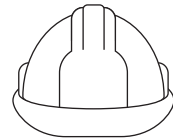
Rubber Mallet

However a standard hammer is fine



Site PPE

Adhere to all relevant site regulations



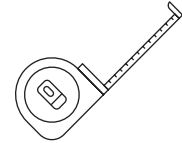
Cordless Drill

With appropriate attachments and bits

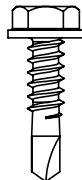


Tape Measure

Measure twice cut once and repeat



Fastener Guide



Self Drill
4.2x13mm

Self Drill
4.8x19mm

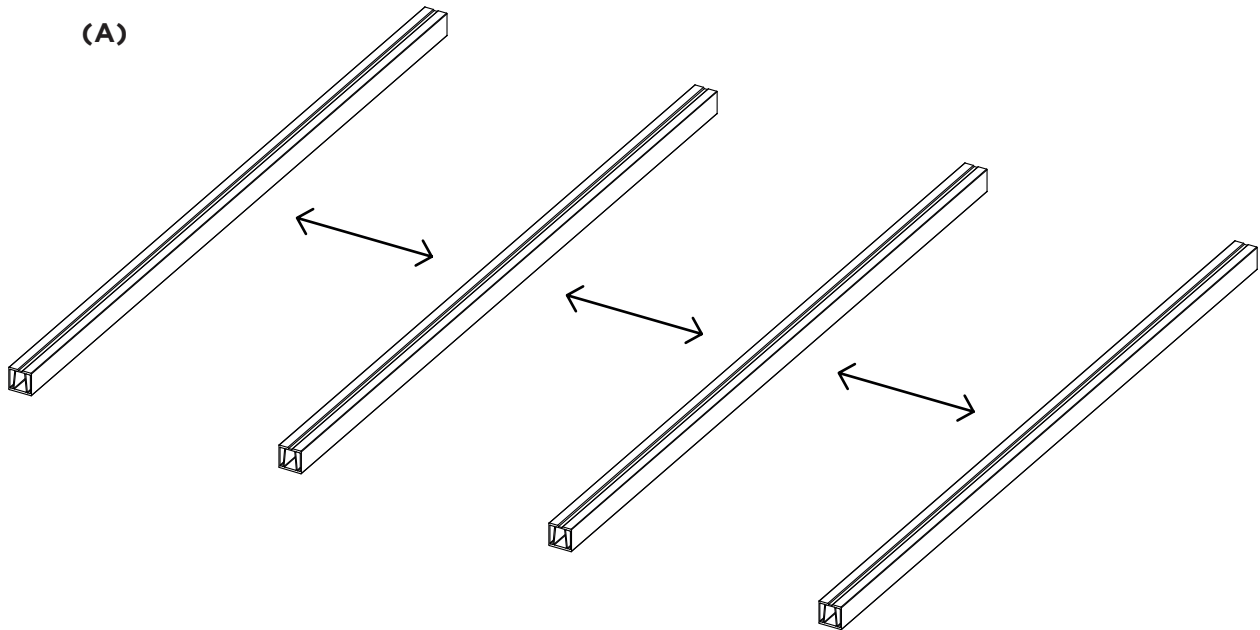
Self Drill
3.9x30mm

Self Drill
3.9x19mm

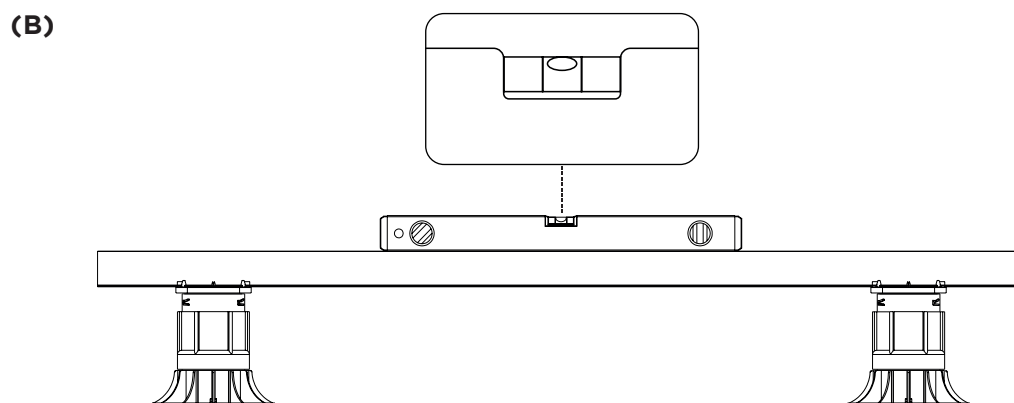
General Notes

- Leave 3mm gap between board ends when butted end on end
- Some schemes require a 10mm gap around perimeter edge of area
- Use offcuts of material wherever possible to minimise waste
- Where joists are to be butted end-on-end, ensure there is a support under the join connecting the two joists
- Always use appropriate torque setting on cordless screwdriver for screws
- Always use correct PPE throughout installation

1. Determine the direction of the primary joists and top rails:
 - a. If square paving is being used and the area is rectangular, it's best to lay the primary joists in the long direction.
 - b. If rectangular paving is being used, the direction of the paving will need to be established and the primary joists laid in the opposite direction to this so that the top rail runs in the same direction.
2. Lay the primary joists at required centres (see RST Aluminium Paving Support Top Rail datasheet for span capabilities) **Fig A.**



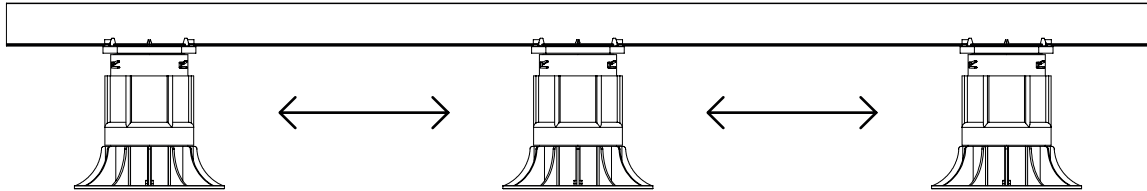
3. Place the primary joists onto supports (one at each end) and level up using a laser level to the required height (FFL minus top rail and surface thickness). It's very important that care is taken at this stage to ensure that the primary joists are all 'in-plane' to avoid any rocking paving. **Fig B.**



4. Where primary joists are butted end-to-end, place support under the join to connect the joists.

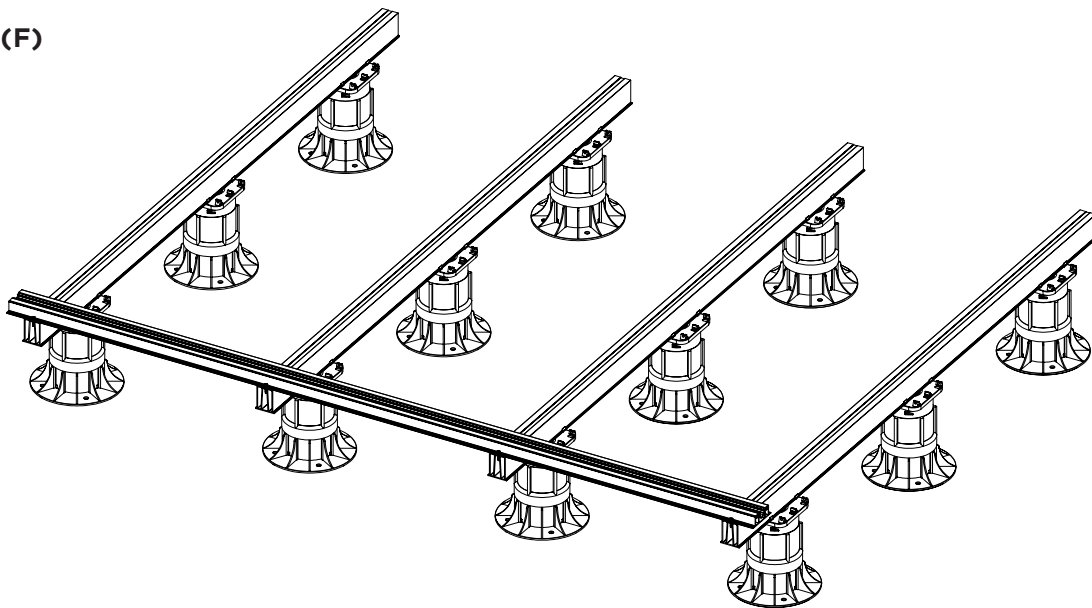
5. Add intermediate supports at the required intervals along the primary joists (see RS Aluminium Primary Joist Support Rail datasheet)

(E)

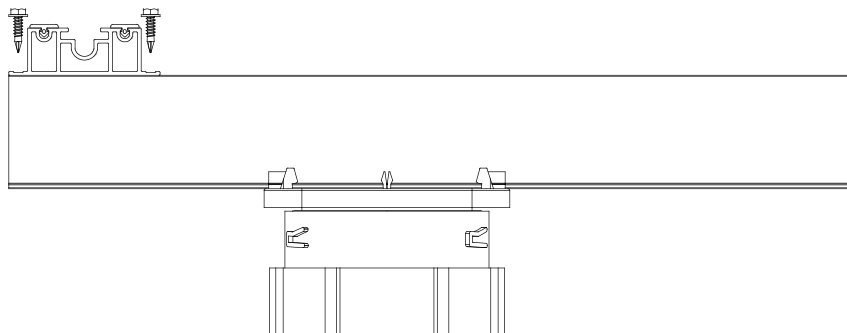


6. Once all the primary joists are all fully supported at the correct level, lay the first row of top rails at 90 degrees to the primary joists, ensuring that they are perfectly in line, and fix with the 13mm self-drill screws. **Fig. F - G**

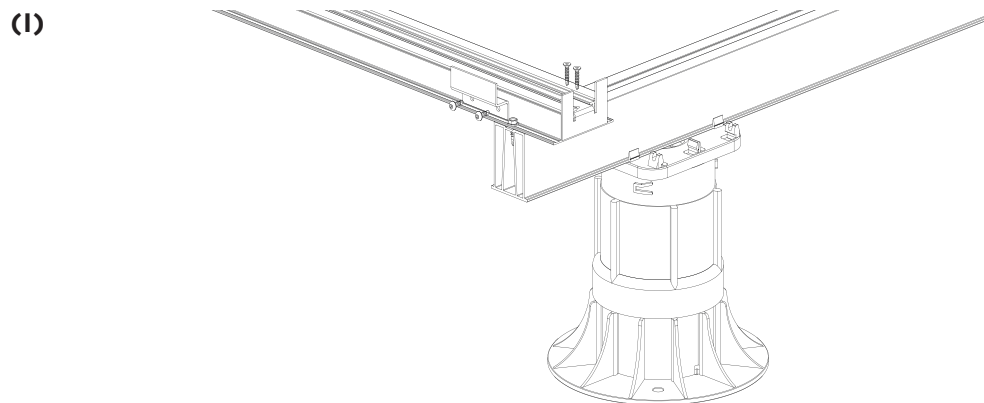
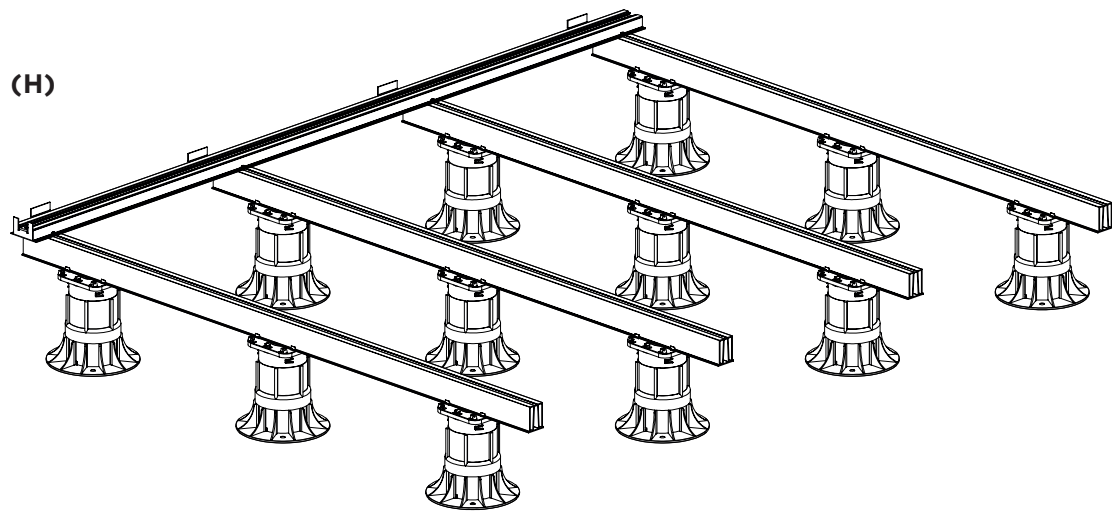
(F)



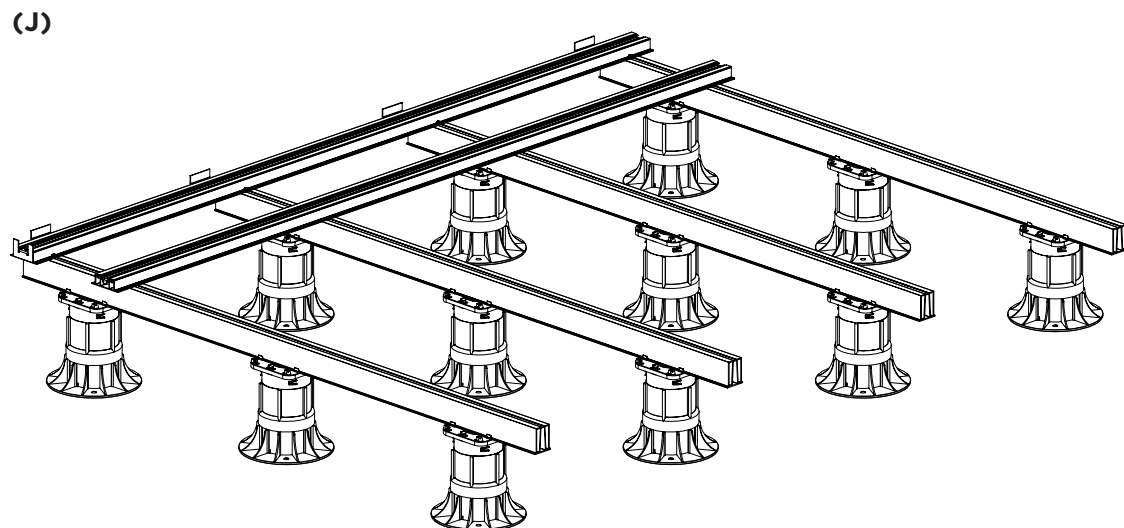
(G)



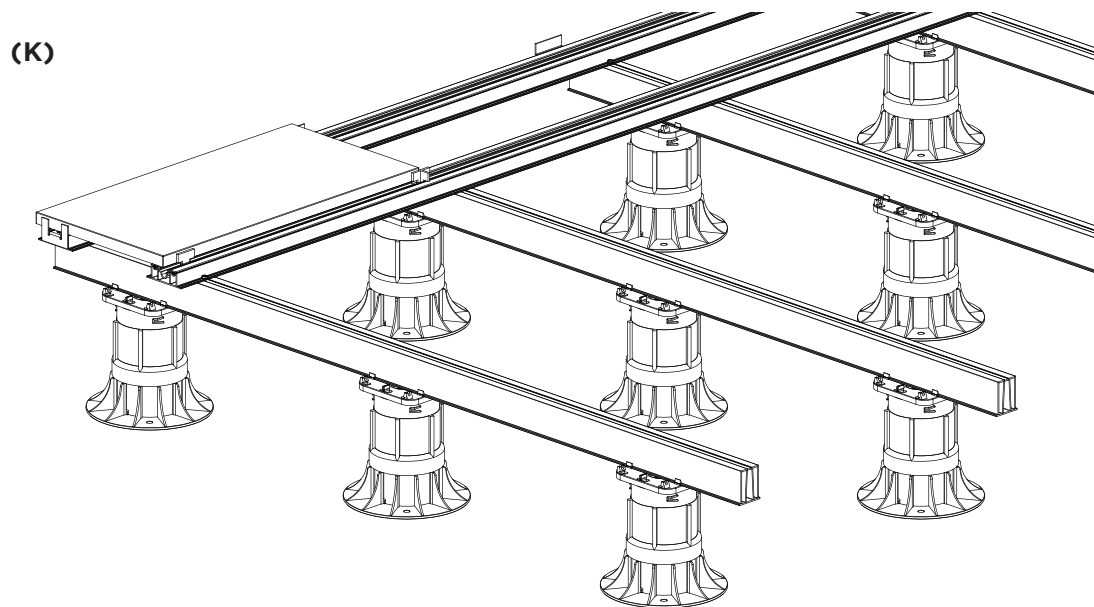
7. Now fit side-stop brackets along the edge to catch the edge of the paving.
 One bracket can be used to restrain the corner of two tiles. **Fig H - I.**



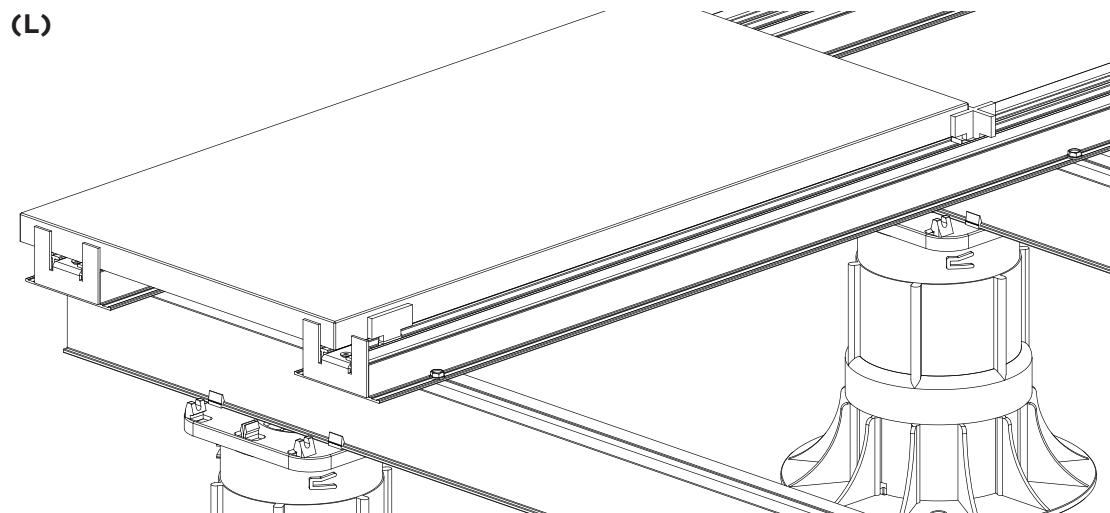
8. Lay the next row of top rails in roughly the right position to support the first row of paving but do not fix yet. **Fig J.**



9. Place the first row of paving along the first two rails and against the side-stop brackets. Insert the spacers provided between each slab ensuring that the slabs are pushed firmly together. Also, check that that slabs are fully supported by the rails and they don't rock at all. **Fig K.**



10. Inserting the spacers will locate the second top rail which can then be fixed using the 13mm self-drill screws. **Fig L.**
11. End-stop brackets can be fitted at each end to hold the first and last slabs in place.



12. Steps 9-12 can now be repeated for subsequent rows of paving
13. Once the final row of paving has been laid, the final row of side-stop brackets can be fitted to restrain them

Contact



Head Office

CastlePoint
Castle Way
Ellon
AB41 9RG

The Studio

2 Sutton Lane
off Clerkenwell Road
London
EC1M 5PU

Telephone:

+44 (0)203 9673500

Email:

enquiries@rynogroup.co.uk

Ryno Ltd
Registered no: 09623250
VAT no: GB 214 3190 46

Registered address: Europa House,
Alford Road, Cranleigh, GU6 8NQ