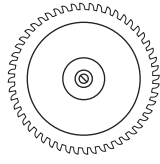
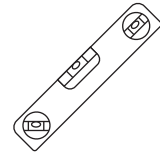


## Porcelain Bridge Saw



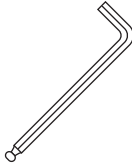
## Levels

Rotating laser level plus a standard level is recommended



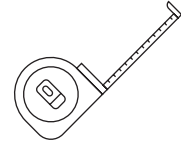
## Ball ended hex key

Available from RYNO



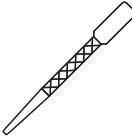
## Tape Measure

Measure twice cut once and repeat



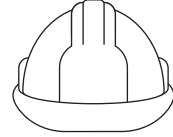
## Punch Tool

Available from RYNO



## Site PPE

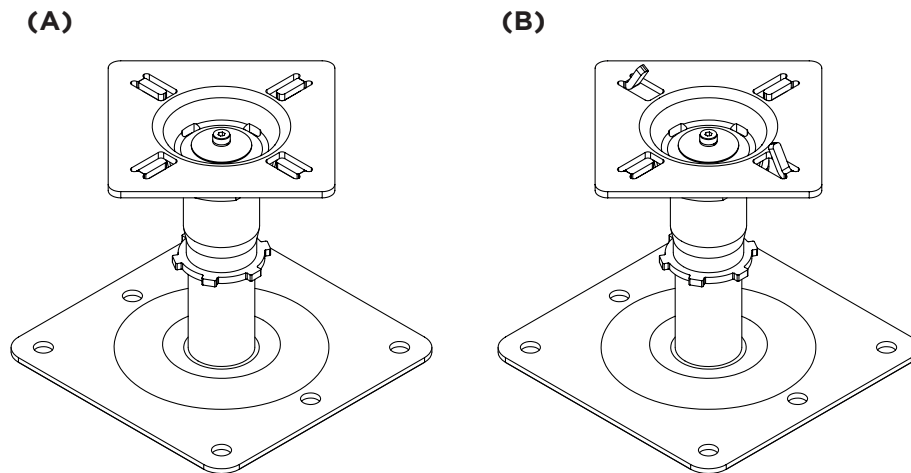
Adhere to all relevant site regulations



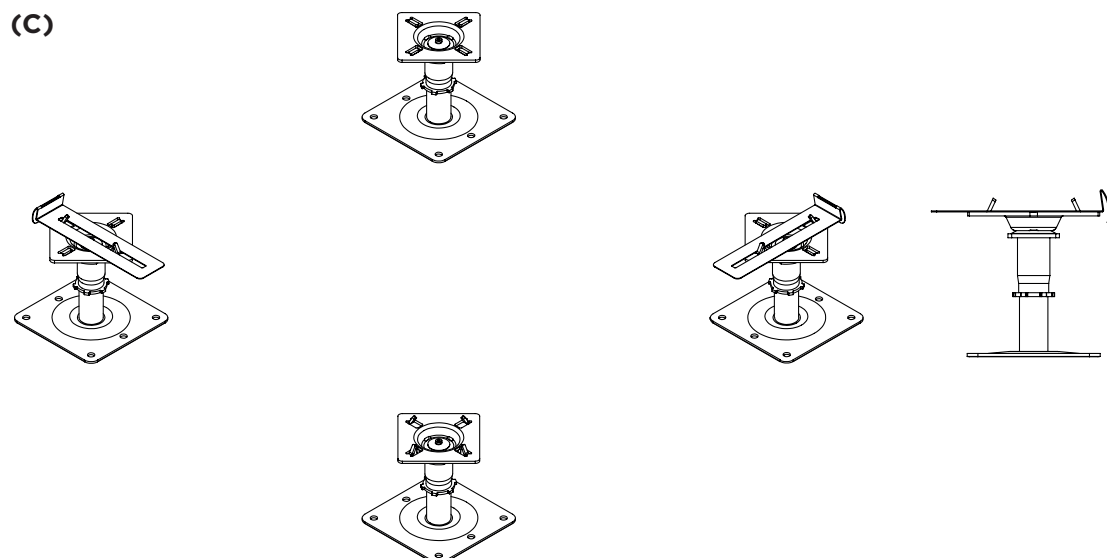
# General Notes

- On delivery, all products should be inspected. If there are any issues with our products, please report them immediately and do not commence installation
- Safe working practise should be observed at all times during the installation process and all necessary Personal Protective Equipment (PPE) should be worn
- Cutting porcelain should be carried out using a water and dust suppressed diamond tipped power saw
- Always use appropriate torque setting on cordless screwdriver for screws
- Always use correct PPE throughout installation

1. Determine the desired slab layout:
  - a. Full slab starting in the corner of the area with cut slabs at the end
  - b. Full slab starting in the centre of the area with cut slabs around the perimeter
2. Use a nail punch and hammer to fold down spacer tabs on the pedestals:
  - a. All 4 spacer tabs for edge support. **Fig A.**
  - b. Two aligning spacer tabs for edge support. **Fig B.**

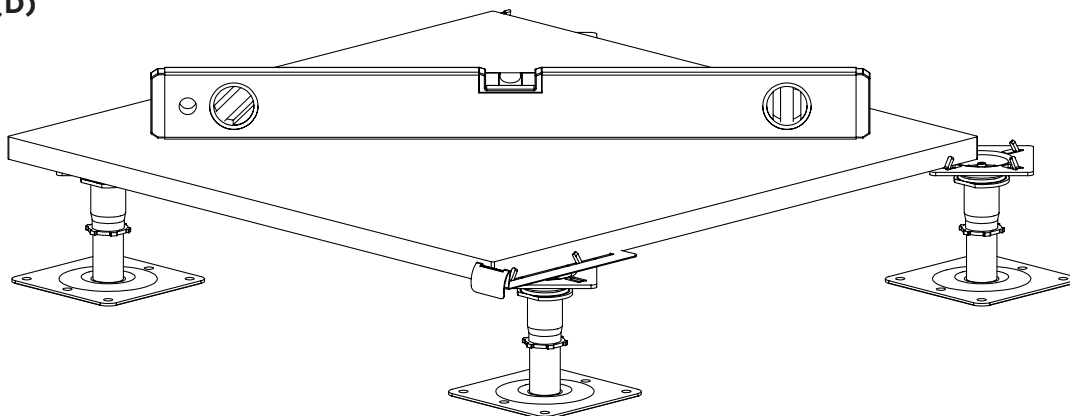


3. Ensure the centre locking fastener is loosened to allow self-levelling pedestal head to move. It is recommended to use head shockpads to reduce unpleasant grinding noise between pedestal and tile: place these on top of the pedestal
4. Place the first 4 pedestals in the desired area. When positioning pedestals along the perimeter of an area, ensure edge spring clips are used to create uniform spacing along these edges. **Fig C.**



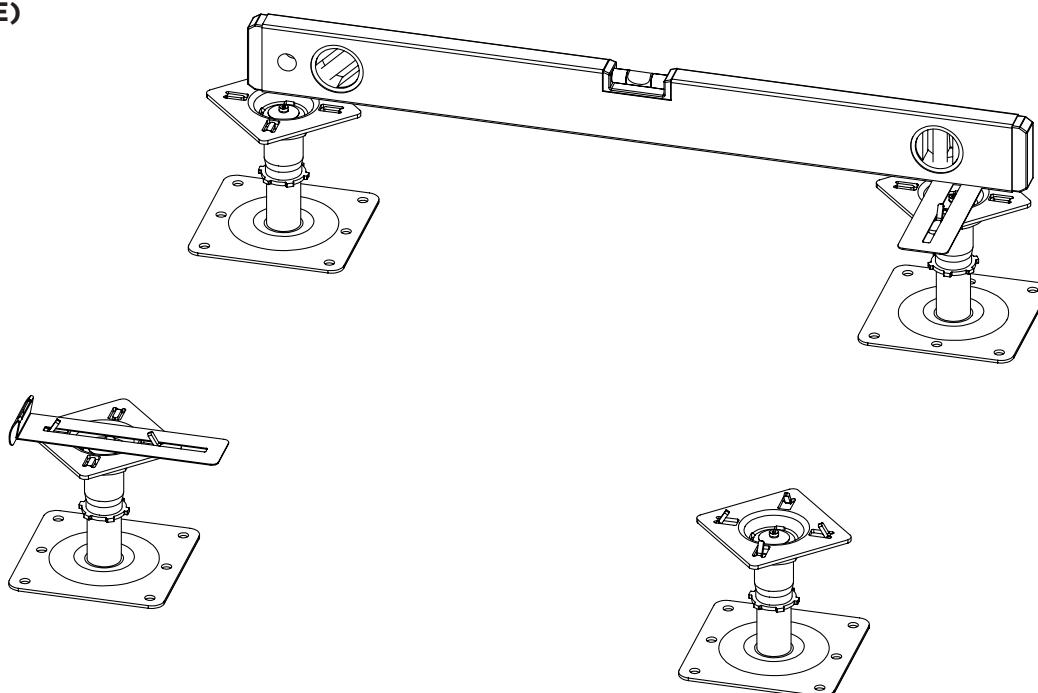
5. Lay slab on top of pedestals. Set the height of the slab and pedestals by placing a spirit level diagonally on the slab and twisting the pedestal upper shaft clockwise (down) or anti-clockwise (up). Tighten the locking nut to lock the pedestal height. **Fig D.**

(D)

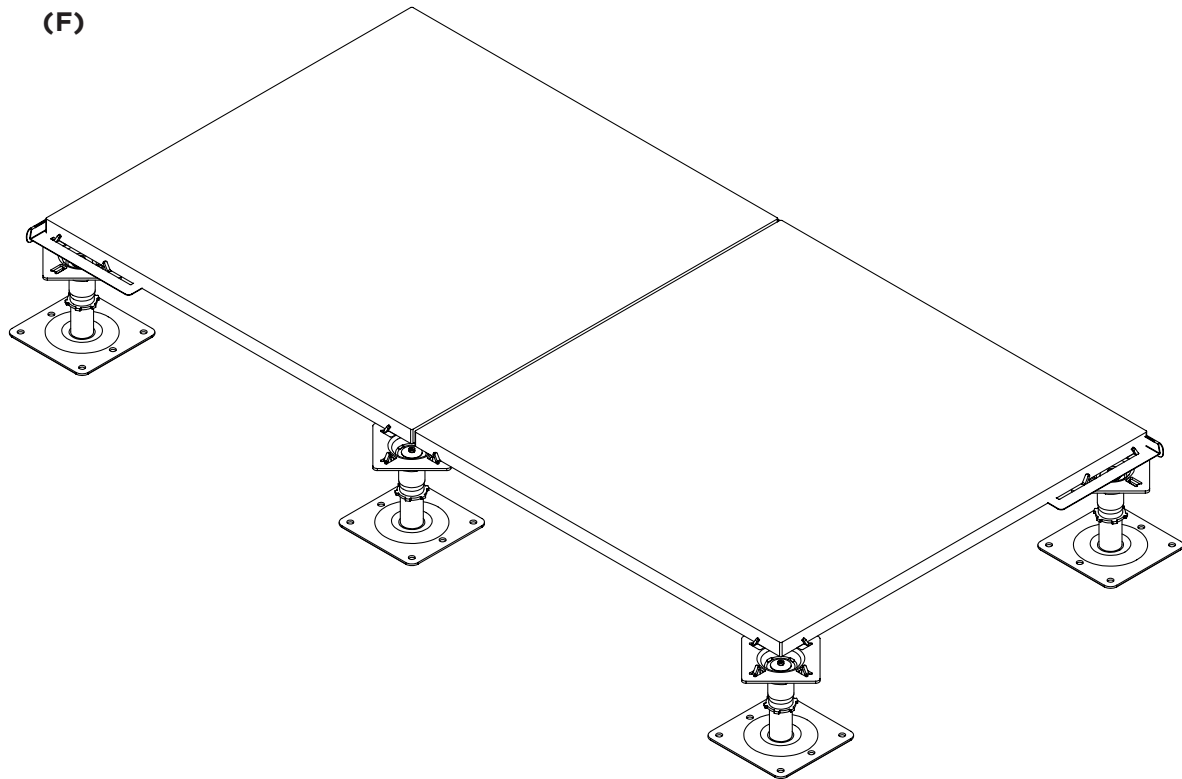


6. If starting in the corner of an area - remove the slab, use a spirit level to ensure the corner support pedestal is level, tighten the centre locking fastener with correct hex key and replace the slab. **Fig E.**

(E)



**7. Lay slab on top of pedestals. Fig F.**



- 8.** Level the slab with the previous by using a spirit level and raising/lowering the pedestals as described in step 5.
- 9.** Once each pedestal's height and level is correct and the pedestals are completely supporting all of the desired slabs the correct hex key can be placed between the slabs to locate the pedestal centre locking fastener and tightened. This prevents the self-levelling head from moving when load is applied.
- 10.** Repeat steps 7-9 until the area completed.

# Contact



## **Head Office**

Castlepoint  
Castle Way  
Ellon  
AB41 9RG

## **The Studio**

2 Sutton Lane  
off Clerkenwell Road  
London  
EC1M 5PU

## **Telephone:**

+44 (0)203 9673500

## **Email:**

[enquiries@rynogroup.co.uk](mailto:enquiries@rynogroup.co.uk)

Ryno Ltd  
Registered no: 09623250  
VAT no: GB 214 3190 46

Registered address: Europa House,  
Alford Road, Cranleigh, GU6 8NQ