

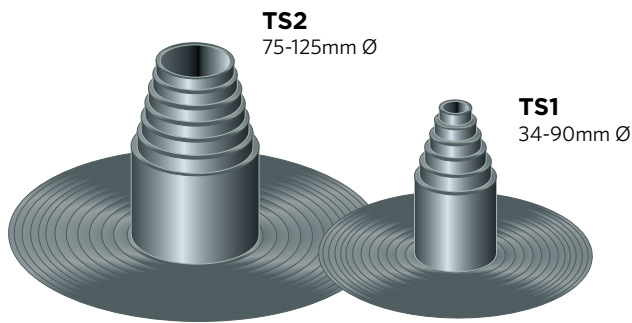
PRODUCT DATASHEET

Pipe Sleeves

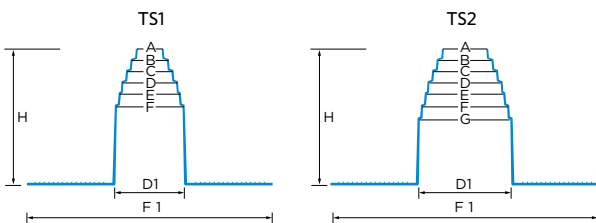
Pipe sleeves are used where pipework passes through the roof structure. They are a simple and effective means of bonding the pipe to the membrane.

The roofing membrane is dressed over the circular flange of the pipe sleeve. A robust metal fastening device is then tightened over the pipe sleeve, forming a watertight junction.

Pipe Sleeves are available manufactured from EPDM, PVC-u and PP.



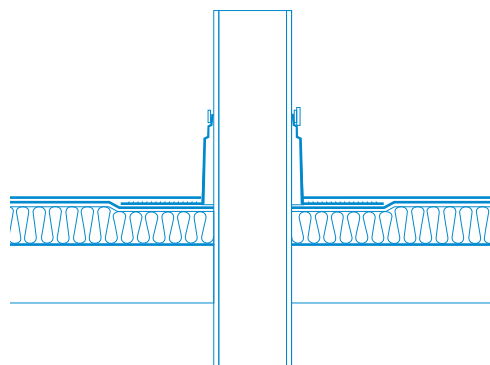
SIZING



	TS1	TS2
F1	340	365
H	180	180
D1	93	127
A	34	75
B	50	80
C	60	90
D	75	100
E	80	110
F	90	115
G	N/A	125

*All measurements in mm

TS2 typical application in warm roof



Castlepoint
Castle Way
Ellon AB41 9RG

01358 726000
sales@rynogroup.co.uk
rynogroup.co.uk