

F

GRP Felt Roof Edge Trim

Overview

GRP roof edge trims and termination bars are manufactured from pultruded glass fibre reinforced polyester. The enhanced composition ensures that trim is highly durable and resilient to adverse weather conditions and atmospheric pollution. They are supplied in 3m lengths and can be easily cut on site to follow the alignment of the roof edges, and are suitable for both new build and refurbishment projects. Profiles are available from stock in black, white and grey. Further colours available to special order. Preformed corners are available for all trim profiles.



Details

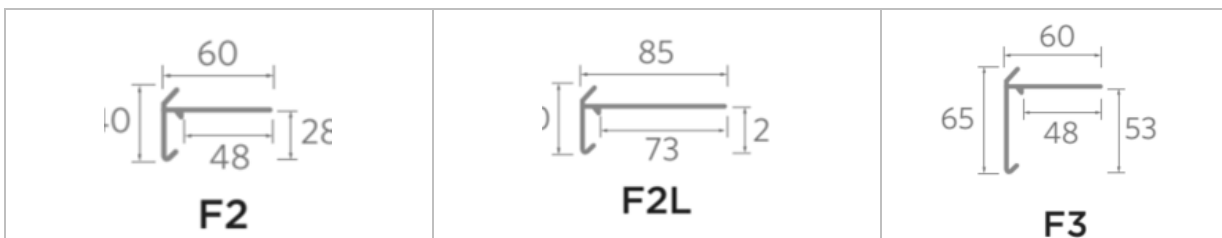
Material	GRP
Dimensions	See 'Part information'

Performance

Warranty	10 years
-----------------	----------

Part Information

Code	Face Size	Coverage	Fixing Arm	Length	LM per box
F2	40mm	28mm	60mm	3m	30m
F2L	40mm	28mm	85mm	3m	30m
F3	65mm	53mm	60mm	3m	30m
F3L	65mm	53mm	110mm	3m	30m
F4	100mm	88mm	60mm	3m	30m
F4L	100mm	88mm	110mm	3m	15m
F6	150mm	138mm	60mm	3m	30m



<p>F3L</p>	<p>F4</p>	<p>F4L</p>
<p>F6</p>		
<p>Specialist Applications*</p>		
<p>Notched fixing arm For curved applications</p>	<p>Extended fixing arm For extra fixing strength</p>	<p>Top lip removed For drip edge applications</p>
<p>Felt stop Where no trim face is required</p>		

*Bespoke corners are available to special order, to suit specific requirements.

These include but are not limited to:

- Manufactured to any specific angle
- Manufactured to suit change in roof gradient
- Manufactured to any specific length

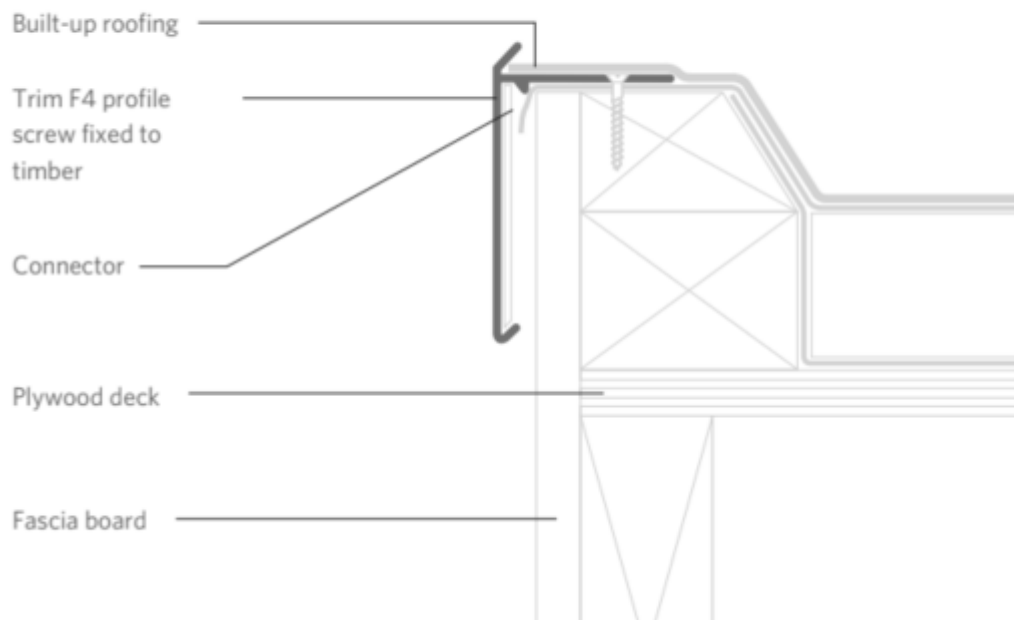
Got questions? Give us a shout.

Visit www.rynosystems.com or call us today on **+44 (0)203 967 3500** or reach out on sales@rynosystems.com

Installation

GRP trim is supplied in 3m lengths, complete with necessary connectors. There are 10 lengths per carton. All drilling and cutting can be carried out using traditional tools. Trim is normally fixed over the first layer of a built-up roofing system or the sheathing felt when asphalt is used. Typical details are shown below. The trim should be fixed at maximum 300mm centres, using suitable fixings. A comprehensive range of fixings and drill bits are available from stock. All lengths should be close butt jointed, using the connecting pieces supplied.

Felt finish on plywood deck



Got questions? Give us a shout.

Visit www.rynosystems.com or call us today on **+44 (0)203 967 3500** or reach out on sales@rynosystems.com