

A

GRP Asphalt Roof Edge Trim

Overview

GRP roof edge trims and termination bars are manufactured from pultruded glass fibre reinforced polyester. The enhanced composition ensures that trim is highly durable and resilient to adverse weather conditions and atmospheric pollution. They are supplied in 3m lengths and can be easily cut on site to follow the alignment of the roof edges, and are suitable for both new build and refurbishment projects. Profiles are available from stock in black, white and grey. Further colours available to special order. Preformed corners are available for all trim profiles.



Details

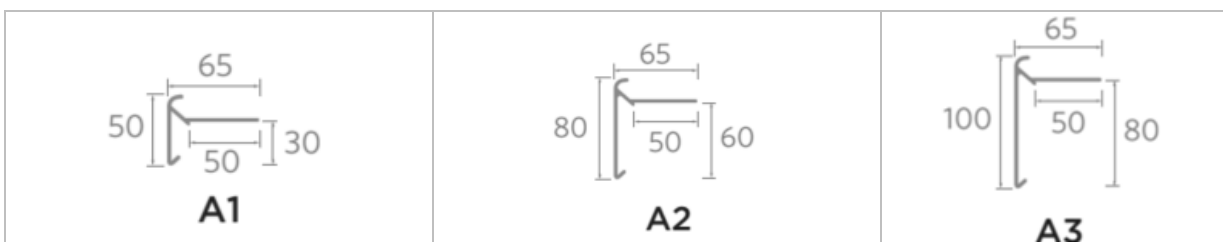
Material	GRP
Dimensions	See 'Part information'

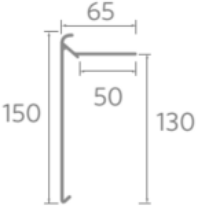
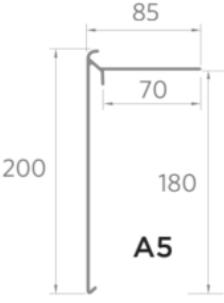
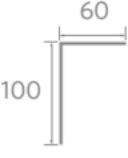
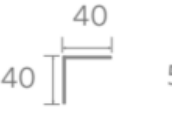
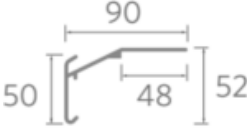
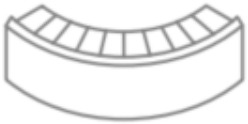
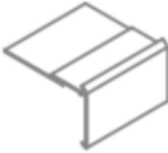


Performance

Warranty	10 years
-----------------	----------

Part Information

Code	Face Size	Coverage	Fixing Arm	Length	LM per box
A1	50mm	30mm	65mm	3m	30m
A2	80mm	60mm	65mm	3m	30m
A3	100mm	80mm	65mm	3m	30m
A4	150mm	130mm	65mm	3m	30m
A5	200mm	180mm	88mm	3m	15m
L100/60	100mm	97mm	60mm	3m	30m
L40/40	40mm	37mm	40mm	3m	30m
DE50	50mm	52mm	90mm	3m	30m



 <p>A4</p>	 <p>A5</p>	 <p>L100/60</p>
 <p>L40/40</p>	 <p>DE50</p>	
<p>Specialist Applications*</p>		
 <p>Notched fixing arm For curved applications</p>	 <p>Extended fixing arm For extra fixing strength</p>	 <p>Top lip removed For drip edge applications</p>
 <p>Felt stop Where no trim face is required</p>		

*Bespoke corners are available to special order, to suit specific requirements.

- These include but are not limited to:
- Manufactured to any specific angle
 - Manufactured to suit change in roof gradient
 - Manufactured to any specific length

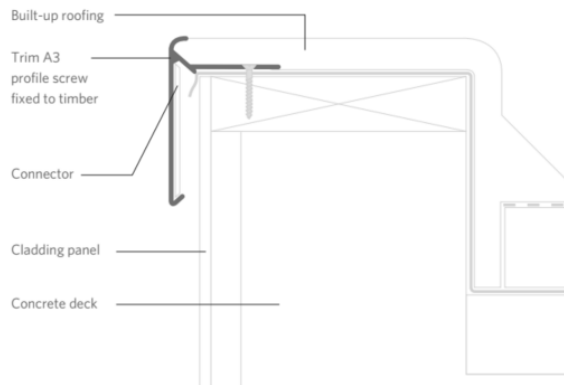
Got questions? Give us a shout.

Visit www.rynosystems.com or call us today on +44 (0)203 967 3500 or reach out on sales@rynosystems.com

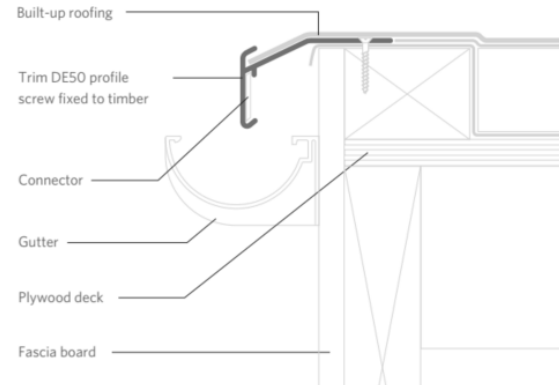
Installation

GRP trim is supplied in 3m lengths, complete with necessary connectors. There are 10 lengths per carton. All drilling and cutting can be carried out using traditional tools. Trim is normally fixed over the first layer of a built-up roofing system or the sheathing felt when asphalt is used. Typical details are shown below. The trim should be fixed at maximum 300mm centres, using suitable fixings. A comprehensive range of fixings and drill bits are available from stock. All lengths should be close butt jointed, using the connecting pieces supplied.

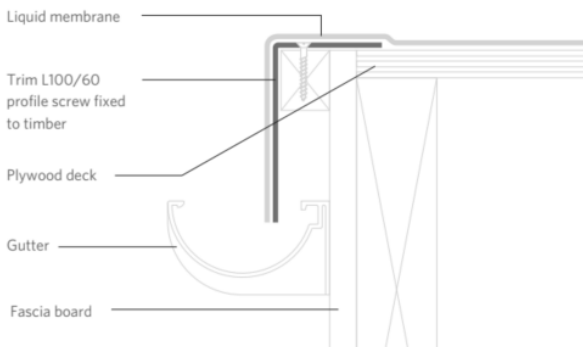
Asphalt finish on concrete deck



Felt finish on plywood deck



Liquid finish on plywood deck



Got questions? Give us a shout.

Visit www.rynosystems.com or call us today on **+44 (0)203 967 3500** or reach out on sales@rynosystems.com