

AF

Aluminium Felt Roof Edge Trim

Overview

Aluminium roof edge trim is extruded from 6063/T6 aluminium. This provides a resilient finish that is not affected by atmospheric pollution and will not rust. They are supplied in 3m lengths and can be easily cut on site to follow the alignment of the roof edges, and are suitable for both new build and refurbishment projects. Profiles are available from stock in mill finish, and can be powder coated to special order. Preformed corners are available for all trim profiles and eliminate the need for on-site mitre cutting, ensuring a neat, accurate and watertight detail at any change in roof edge direction. Standard size 90° external and internal corners are available from stock. Bespoke corners are available to special order, to suit specific requirements.



Details

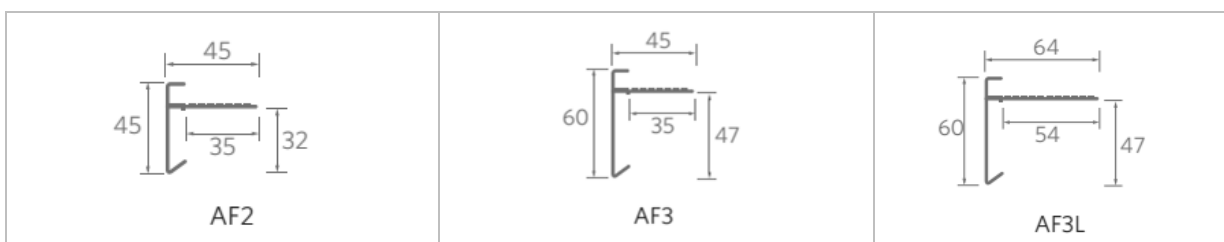
Material	Aluminium 6063-T6
Dimensions	See 'Part information'

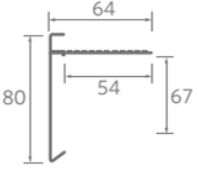
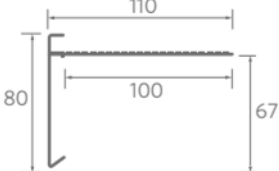
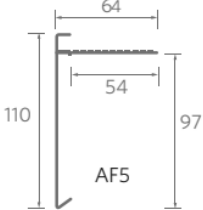
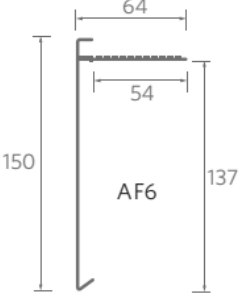
Performance

Warranty	10 years
-----------------	----------

Part Information

Code	Face Size	Coverage	Fixing Arm	Length	LM per box
AF2	45mm	32mm	45mm	3m	30m
AF3	60mm	47mm	45mm	3m	30m
AF3L	60mm	47mm	64mm	3m	30m
AF4	80mm	67mm	64mm	3m	30m
AF4L	80mm	67mm	110mm	3m	30m
AF5	110mm	97mm	64mm	3m	30m
AF6	150mm	137mm	64mm	3m	30m



 <p>AF4</p>	 <p>AF4L</p>	 <p>AF5</p>
 <p>AF6</p>		

Got questions? Give us a shout.

Visit www.rynosystems.com or call us today on **+44 (0)203 967 3500** or reach out on sales@rynosystems.com

